

Parts Catalogue



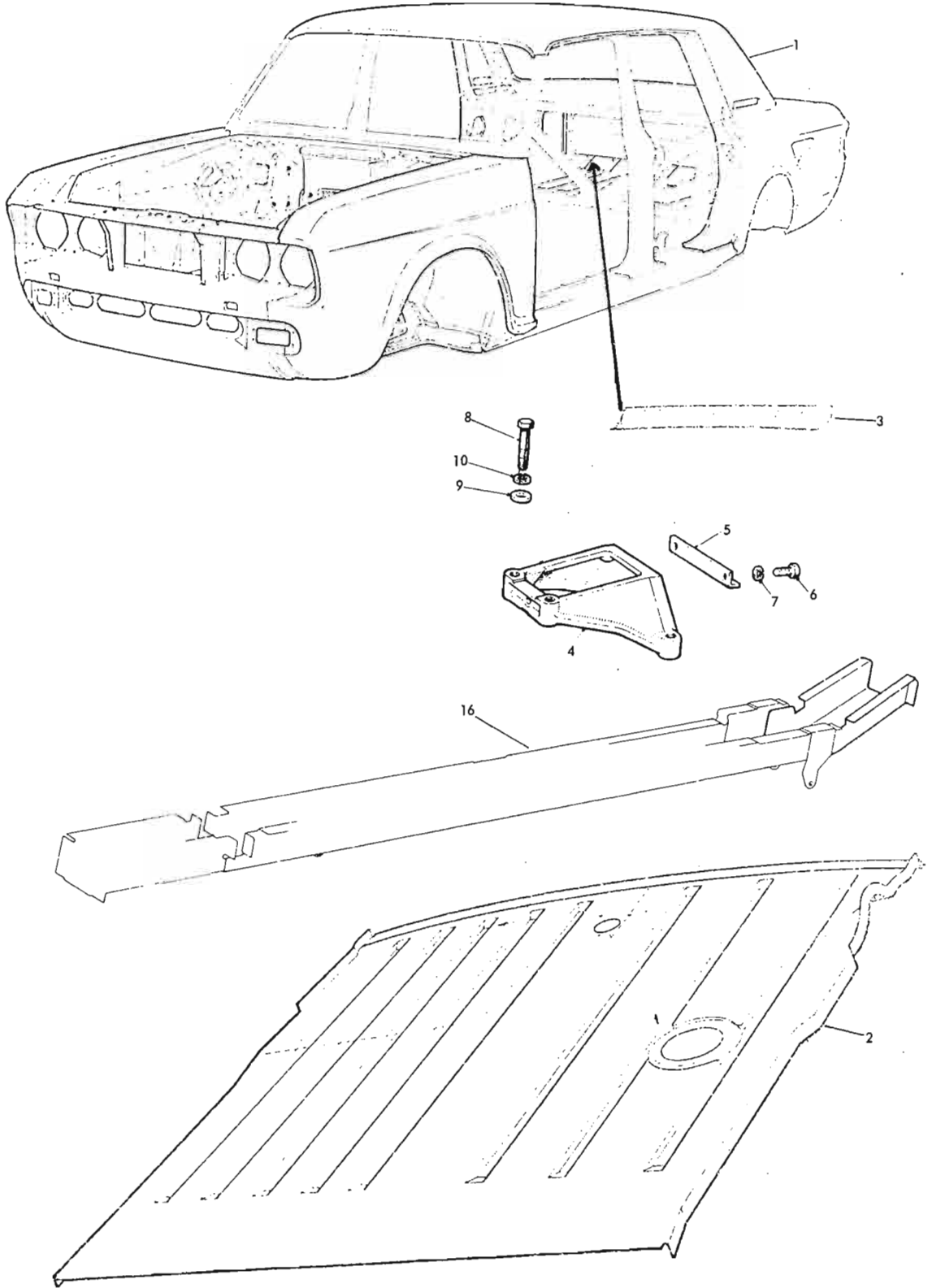
Kimberley & Tasman

AIR VENT
 AIR-EXTRACTOR
 ASH TRAY-FRONT SEAT
 BADGE-X6
 BELT-SAFETY-FRONT
 BODY SHELL
 BODY ASSY-SIDE
 BODY ASSY-SIDE
 BONNET
 BONNET-CABLE
 BONNET
 BONNET-CABLE
 BONNET-LOCK
 BUFFER-BONNET
 BUFFER-BONNET
 BUMPER ASSY-FRONT
 BUMPER ASSY-REAR
 CABLE-BONNET
 CABLE-BONNET
 CABLE-CONTROL-HEATER
 CARPET-FLOOR
 CONSOLE-AUTOMATIC
 DOOR-FRONT
 DOOR-REAR
 DOOR-GLOVE BOX
 ELBOW-AIR INLET DUCT
 END ASSY-FRONT
 ESCUTCHEON-HEATER CONTROL PANEL
 EXTRACTOR-AIR
 FENDER-REAR
 FENDER-REAR
 FRONT-DOOR
 GLASS-FRONT DOOR
 GLASS-REAR DOOR
 GLASS-WINDSCREEN
 GLASS-BACKLIGHT
 GRILLE-FRONT END
 HEADLINING
 HEADLINING
 HEATER BOX
 HINGE-FRONT DOOR
 HINGE-REAR DOOR
 HINGE-GLOVE BOX
 HOSE-FLEXIBLE-COLD AIR
 HOSE-ADAPTOR TO AIRVENT
 LETTERS-KIMBERLEY

RL1 LETTERS-TASMAN
 R5 LETTERS-AUSTIN
 RN2 LID-PETROL FILLER
 RC1 LID-PETROL FILLER
 RM4 LID-TRUNK
 R1 LOCK-BONNET
 R3 LOCK-TRUNK LID
 R4 LOCK-FRONT DOOR
 RA1 LOCK-REAR DOOR
 RA1 LOCK-GLOVE BOX
 RA2 MATS-FLOOR
 RA2 MIRROR-REAR VISION
 RA2 MOULDING-REAR FENDER
 RA1 MOULDING-SILL
 RA2 MOULDING-REAR FENDER
 RJ1 MOULDING-SILL
 RJ2 MOULDING-FRONT FENDER
 RA1 MOULDING-TRUNK LID
 RA2 MOULDING-FRONT DOOR
 RO1 MOULDING-REAR DOOR
 RM1 NAMEPLATE-KIMBERLEY
 RM1 NAMEPLATE-TASMAN
 RE1 NAMEPLATE-AUTOMATIC
 RE5 PAD-CRASH-FACIA
 RL1 PANEL-ROOF
 RO1 PANEL-WINDSHIELD
 R2 PANEL-FRONT FENDER
 RL1 REAR VISION-MIRROR
 R5 REAR-DOOR
 R3 REGULATOR-WINDOW-FRONT DOOR
 R4 REGULATOR-WINDOW-REAR DOOR
 RE1 SEAT-FRONT-MANUAL-TASMAN
 RE1 SEAT-FRONT-AUTOMATIC-TASMAN
 RE5 SEAT-FRONT-KIMBERLEY
 RG1 SEAT-REAR-TASMAN
 RG1 SEAT-REAR-KIMBERLEY
 RH1 TRAY-ASH
 RM3 TREAD PLATE-SILL
 RM4 TRIM-FRONT DOOR
 RO1 TRIM-REAR DOOR
 RE1 TRIM-INTERIOR
 RE5 TRIM-INTERIOR
 RL1 TRIM-INTERIOR
 RB1 TUBE-DRAIN-HEATER BOX
 RL1 TUBE-DEMISTER
 R1 VALANCE-REAR

R1
 RA2
 R3
 R4
 RC1
 RA2
 RC1
 RE4
 RE7
 RL2
 RM1
 RG1
 R3
 R3
 R4
 R4
 RB1
 RC1
 RE1
 RE5
 RB1
 RB1
 RC1
 RL1
 R5
 R6
 RB1
 RG1
 RE5
 RE3
 RE8
 RN1
 RN3
 RN5
 RN7
 RN8
 RL1
 RM2
 RE2
 RE6
 RM3
 RM4
 RM4
 RL2
 KUL
 K4

BODY SHELL

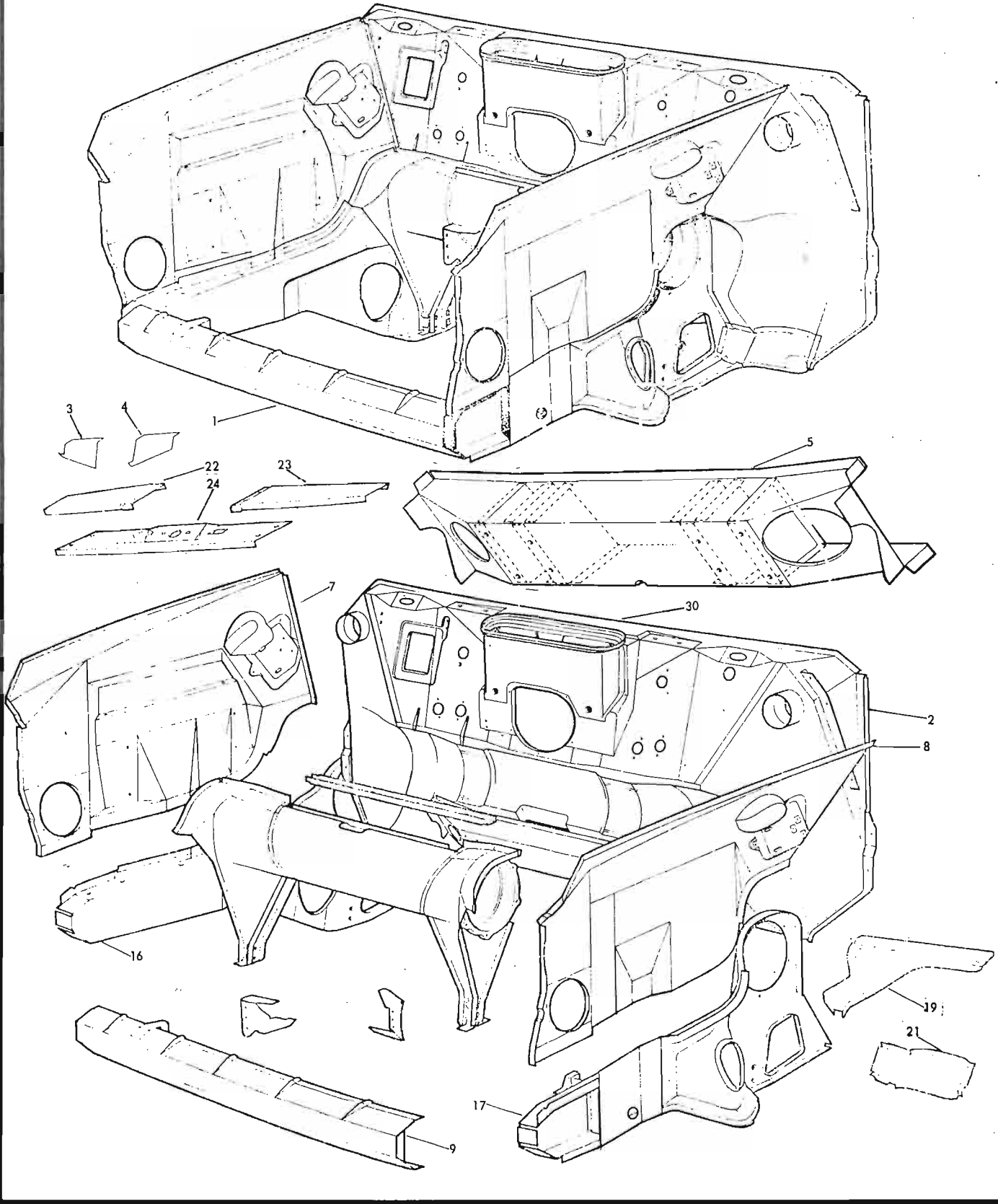


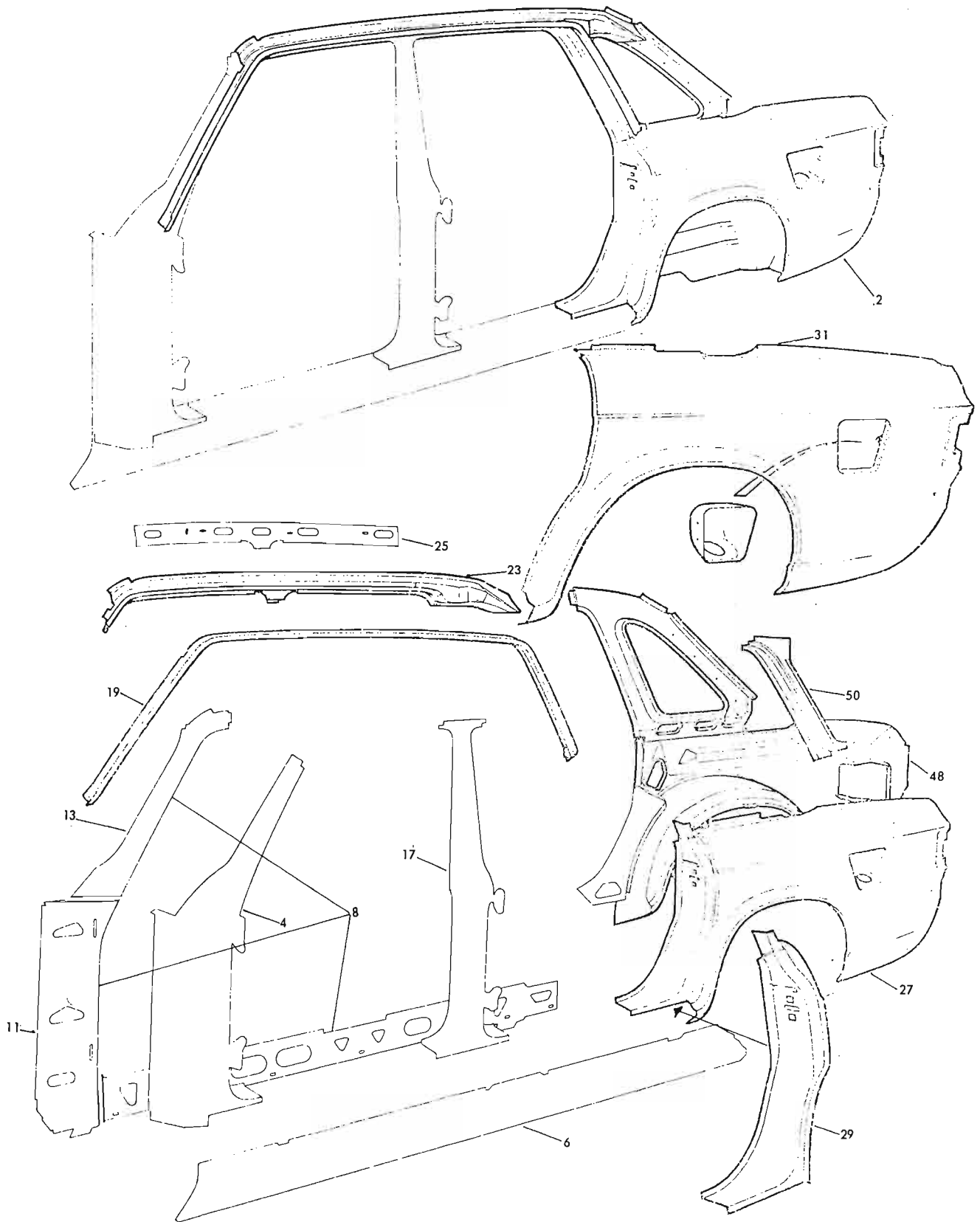
BODYSHELL	Item No.	Part no.	Qty	Amended Part Number	Change Points (see below)
Shell – Body less Doors	1	HYB3695	1		
Panel – Luggage Floor Assembly	2	HYC0136	1		
Panel Extension – Luggage Floor – Assembly	3	HYC0134	1		
Mounting Bracket – Bump and Rebound					
Buffers – Rear Suspension	4	AYB5162	2		
Stiffener – Rear Suspension Crossmember	5	11H1694	2		
Setscrew	6	53K1830	4		
Mounting Bracket &					
Spring – Washer	7	LWZ0206	4		
Stiffener to Body					
Setscrew	8	53K1829	4		
Mounting Bracket					
Plain Washer	9	PWZ0306	4		
to Body Reinforcing					
Spring Washer	10	LWZ0206	4		
Bracket Mounting Outer Front – Rear					
Suspension Assy. R.H.	11	HYA4894	1		
L.H.	12	HYA4895	1		
Mounting Bracket – Inner Front –					
Rear Suspension Assy.	13	HYA4891	2		
Panel – Sill Extension Assy. R.H.	14	HYB3286	1		
L.H.	15	HYB3287	1		
Reinforcement Longitudinal – Luggage					
Floor	16	HYC0189	1		
Reinforcement Crossmember – Rear					
Suspension Assy.	17	HYA6348	1		
Letters K	18	HYB2871	1		
I	19	HYB2870	1		
M	20	HYB2873	1		
B	21	HYB2868	1		
E	22	HYB2869	2		
R	23	HYB2876	1		
L	24	HYB2872	1		
Y	25	HYB2880	1		
T	26	HYB2878	1		
A	27	HYB2867	2		
S	28	HYB2877	1		
M	29	HYB2873	1		
N	30	HYB2874	1		

CHANGE POINTS:

BODY SHELL (Cont.)	Item No.	Part no.	Qty	Amended Part Number	Change Points (see below)	R2
End Assembly – Front	1	HYC12	1			
Panel – Dash	2	HYC25	1			
Baffle – Heater – Dash Panel R.H.	3	HYB1584	1			
L.H.	4	HYB1585	1			
Crossmember – Steering Rack Attachment Assy.	5	HYC161	1			
Bracket–Engine Steady Rod to Gusset	6	HYB2939	1			
Panel – Assy. Front Valance – R.H.	7	HYC110	1			
L.H.	8	HYC111	1			
Panel Assy.– Crossmember – Front	9	HYC145	1			
Panel Assy.– Closing – Crossmember Front	10	HYB3039	1			
Bracket Assy. – Centre – Air Deflector	11	HYB4056	1			
Panel – Air Deflector – Automatic	12	HYB4053	1			
Screw } Panel	13	PMZ408	3			
Washer } to	14	PWZ104	3			
Lockwasher } Body	15	LWZ204	3			
Panel Assy. – Sidemember – Front R.H.	16	HYC154	1			
L.H.	17	HYC155	1			
Gusset – Sidemember to Dash – R.H.	18	HYC156	1			
L.H.	19	HYC157	1			
Filler – Sidemember to Dash – R.H.	20	HYC146	1			
L.H.	21	HYC147	1			
Panel – Bonnet Locking Platform – Side – R.H.	22	HYC230	1			
L.H.	23	HYC231	1			
Centre	24	HYC139	1			
Bracket – Bonnet Lock Cable	25	HYH1995	1			
Screw } Panel Bonnet	26	HPZ405	4			
Washer – Plain } Locking Sides to Centre	27	PWZ204	4			
Bracket – Stiffener – R.H. } Valance to	28	HBV3110	1			
L.H. } Front Fender	29	HYB3111	1			
Seal – Heater Intake – Dash to Bonnet	30	HYC254	1			
Gauze – Dash – Heater Intake	31	HYC253	1			

CHANGE POINTS:





BODY SHELL (Cont.)	Item No.	Part no.	Qty	Amended Part Number	Change Points (see below)	R3
Body Side Assy. – R.H.	1	HYC10	1			
L.H.	2	HYC11	1			
Panel 'A' Post Assy. – R.H.	3	CZD364	1			
L.H.	4	HYA4039	1			
Panel Assy. Sill Outer – R.H.	5	HYA4052	1			
L.H.	6	HYA4053	1			
Reinforcement Sill Assy. – R.H.	7	HYA4112	1			
L.H.	8	HYA4113	1			
Tube – Jacking	9	HYA2655	4			
Panel 'A' Post Closing Lower – R.H.	10	HYA4114	1			
L.H.	11	HYA4115	1			
Panel 'A' Post Closing Upper – R.H.	12	HYB2238	1			
L.H.	13	HYB2239	1			
Bracket Assy. – Fascia to 'A' Post – R.H.;	14	HYB2438	1			
L.H.	15	HYB2439	1			
Panel 'BC' Post Assy. – R.H.	16	HYB1648	1			
L.H.	17	HYB1649	1			
Moulding – Drip – R.H.	18	HYC194	1			
L.H.	19	HYC195	1			
Finisher – R.H.	20	HYB2582	1			
L.H.	21	HYB2583	1			
Panel Cantrail – R.H.	22	HYC202	1			
L.H.	23	HYC203	1			
Plate Closing Cantrail – R.H.	24	HYB2218	1			
L.H.	25	HYB2219	1			
Fender Assy. Rear – R.H.	26	HYC116	1			
L.H.	27	HYC117	1			
Panel Assy. – Facing 'D' Post – R.H.	28	HYC206	1			
L.H.	29	HYC207	1			
Panel Rear Fender – R.H.	30	HYC50	1			
L.H.	31	HYC51	1			
Lid – Petrol Filler Assy.	32	HYC135	1			
Spring – Petrol Filler Lid	33	MYH736	1			
Screw – Petrol Filler Lid Adjusting	34	MYH686	1			
Screw	35	PMZ308	2			
Plain Washer						
Spring Washer	36	PWZ203	2			
Buffer						
Lid Assy.	37	LWZ203	2			
Moulding – Rear Fender – R.H. (K)	38	MYH586	1			
L.H. (K)	39	HYB2944	1			
Clip – Moulding Rear Fender (K)	40	HYB2945	1			
	41	MYH573	8			

CHANGE POINTS:

BODY SHELL (cont.)

Item
No.

Part no.

Qty

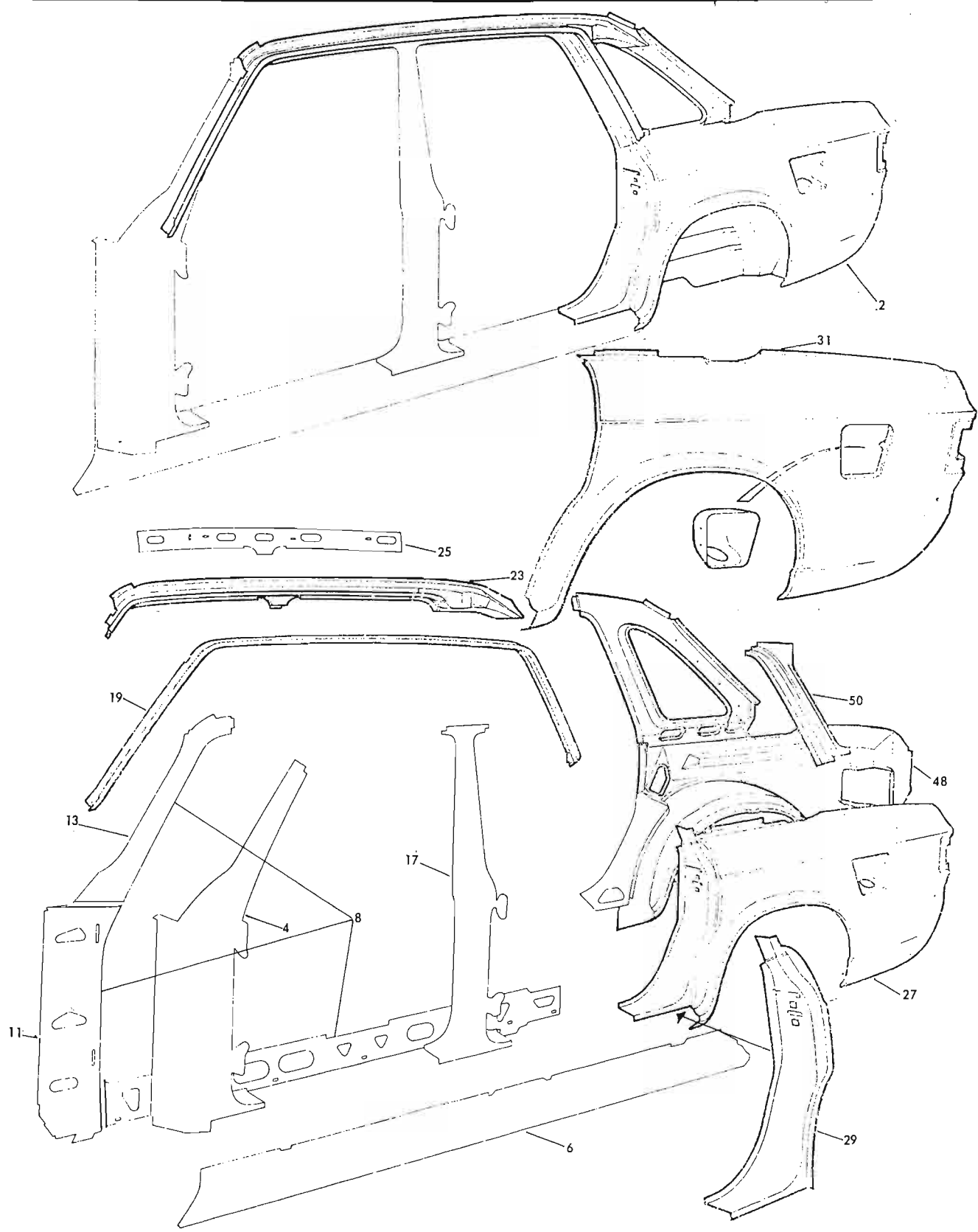
Amended Part
Number

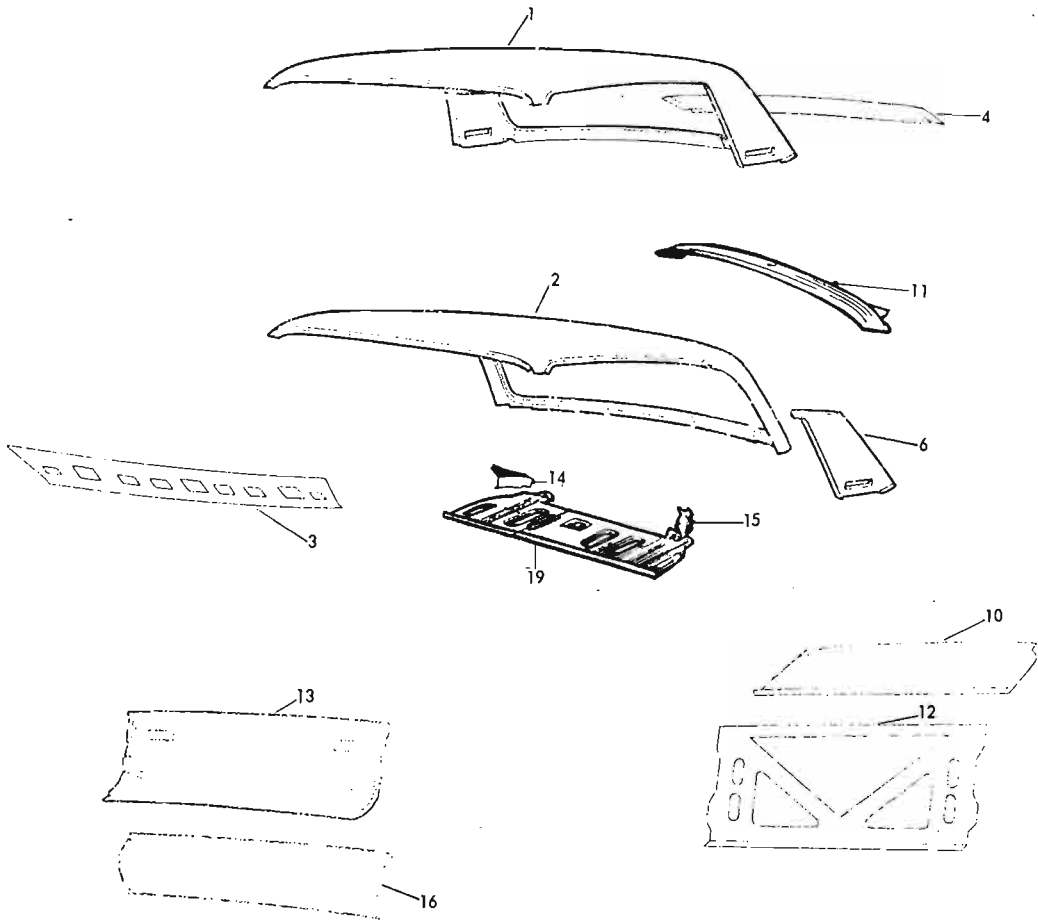
Change
Points
(see
below)

R4

Stud – Plate Assy.	42	MYH583	4		
Moulding – Sill (K)	43	HYB2647	2		
Clip – Moulding Sill (K)	44	MYH575	14		
Stud – Plate Assy. – Sill (K)	45	MYH726	2		
Plug – Jacking Tube Hole	46	RFN211	4		
Valance and Wheel Arch Assy – R.H.	47	HYC128	1		
L.H.	48	HYC129	1		
Panel Upper 'D' Post Facing – R.H.	49	HYC196	1		
L.H.	50	HYC197	1		

CHANGE POINTS:





BODY SHELL (Cont.)	Item No.	Part no.	Qty	Amended Part Number	Change Points (see below)	R5
Panel – Roof Assy.	1	HYC0186	1			
Panel – Roof	2	HYC003	1			
Panel Closing Backlight Lower	3	HYB2669	1			
Reinforcement Backlight Lower	4	CZD0061	1			
Panel – Rear Quarter – Roof – R.H.	5	HYC0062	1			
L.H.	6	HYC0063	1			
Panel – Air Extractor – R.H.	7	HYB2360	1			
L.H.	8	HYB2361	1			
Pop Rivet – Panel – Air Extractor to Rear Quarter Outer	9	DXR0410	4			
Panel – Parcel Shelf Rear Assy.	10	HYA4953	1			
Reinforcement Backlight – Upper Assy.	11	HYA4955	1			
Panel Squab Assy.	12	HYA4933	1			
Panel – Body Rear	13	HYC0001	1			
Reinforcement Backlight – Lower Side – RH	14	CZD0122	1			
LH	15	CZD0123	1			
Panel Reinforcement – Body Rear Assy.	16	HYD0144	1			
Reinforcement Assy Aux. Spring Mounting – R.H.	17	HYB2474	1			
– L.H.	18	HYB2475	1			
Bracket Assy. Aux. Spring Mounting – R.H.	19	HYB2478	1			
– L.H.	20	HYB2479	1			
Extractor – Air – Rear Quarter – R.H.	21	HYB2362	1			
Extractor – Air – Rear Quarter – L.H.	22	HYB2363	1			
Nut	23	MYH737	8			
Flap – Air Extractor	24	HYB2365	2			
Clip – Canoe	25	MYH714	10			

CHANGE POINTS:

BODY SHELL (Cont)

Item
No.

Part no.

Qty

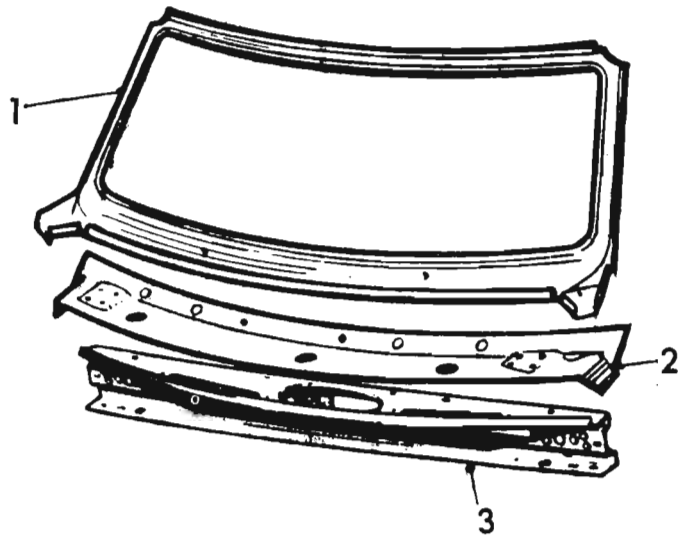
Amended Part
Number

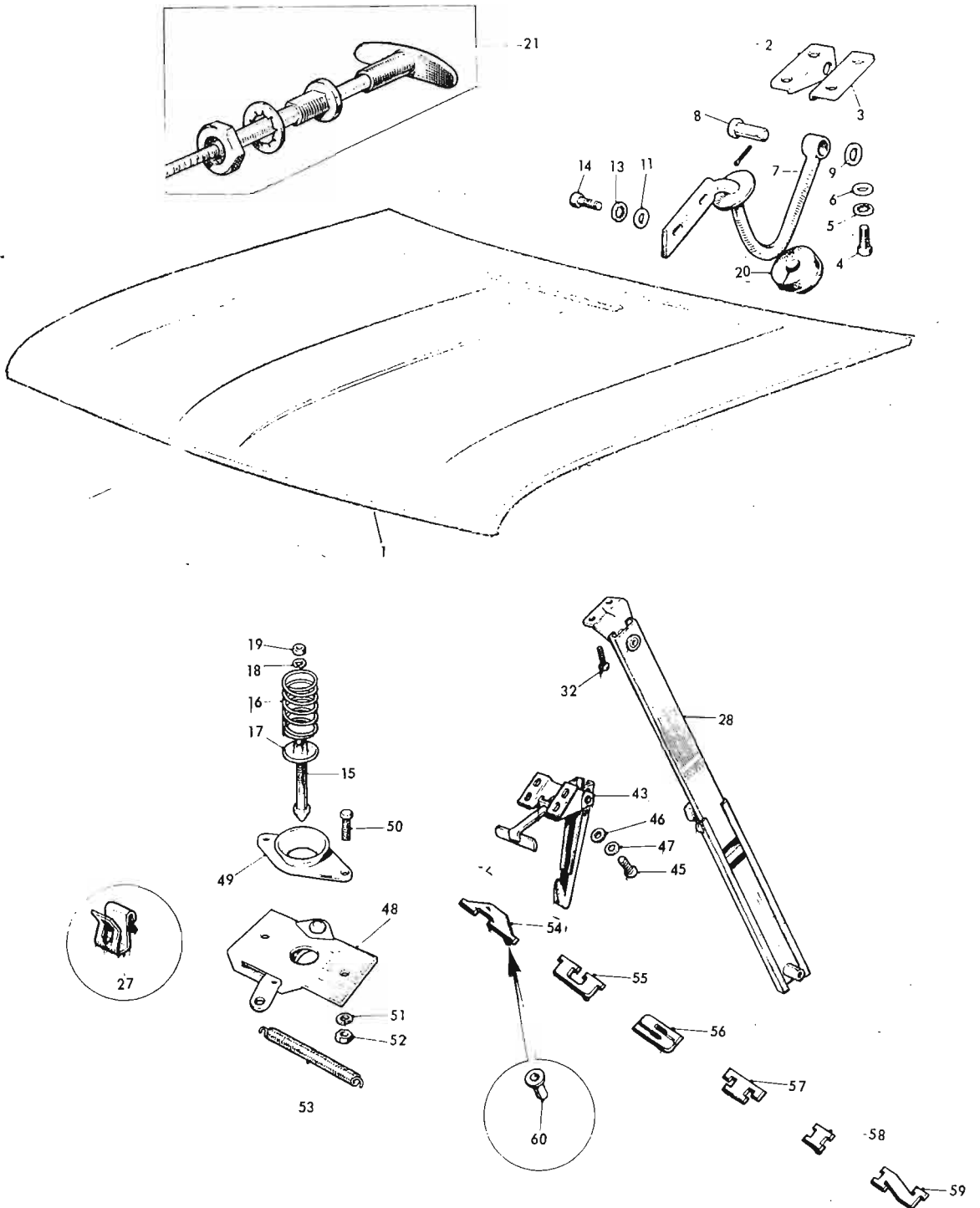
Change
Points
(see
below)

R6

Panel Windshield Assy.	1	HYB3078	1		
Panel – Dash Top – Assy.	2	HYB2604	1		
Panel – Facia Top – Assy.	3	HYB2370	1		
Panel – Facia Side – Assy. – RH	4	HYB2544	1		
LH	5	HYB2545	1		
Panel – Facia Centre – Assy.	6	HYB2594	1		
Clip	7	HYA1308	2		
Panel – Facia Centre – Assy.	8	HYB2592	1		
Screw	9	HPZ404	4		
Washer } Facia Assy. to	10	PWZ104	6		
Washer } 'A' Post Bracket	11	LWZ204	4		
Screw }	12	HZS 406	2		
Nut } Facia Assy.	13	ANZ103	2		
Screw } to Dash Top	14	PMZ308	2		
Lock Washer }	15	LWZ503	2		

CHANGE POINTS:





BONNET AND CONTROLS

	Item No.	Part no.	Qty	Amended Part Number	Change Points (see below)
Bonnet Assy – Complete	1	HYC18	1		
Bracket – Hinge – R.H.	2	CZD452	2		
L.H.	3	CZD453	2		
Screw	4	HZS404	8		
Washer – Shakeproof	5	LWZ404	8		
Washer – Plain	6	PWZ104	8		
Hing Assy. – Bonnet	7	HYA4671	2		
Pin – Clevis	8	CLZ522	2		
Washer – Plain	9	PWZ105	2		
Pin – Cotter	10	ZPS306	2		
Washer – Plain	11	PWZ204	2		
Washer – Plain	12	PWZ104	2		
Washer – Lock	13	LWZ404	4		
Screw	14	HPZ405	4		
Pin – Bonnet Lock	15	HYA6221	1		
Spring – Bonnet Lock	16	HYB1354	1		
Thimble – Bonnet Lock	17	HYA6299	1		
Washer – Spring	18	LWZ306	1		
Nut	19	FNZ506	1		
Seal – Bonnet Hinge to Dash	20	HYA4178	2		
Cable Assy. – Bonnet Release	21	HYB2678	1		
Cable – Inner	22	HYL4137	1		
Clamp – Cable Complete	23	HYA4736	1		
Grommet – Bonnet Cable	24	RFR303	1		
Clip – Cable to Valance	25	CHR307	2		
Screw – Clip to Valance	26	PTZ1003	2		
Clip – Cable to Bonnet Lock Platform Centre	27	PCR411	1		
Prop Assy. – Bonnet	28	HYA6413	1		
Circlip	29	SPO196	1		
Washer – Waved	30	AWZ105	1		
Washer – Plain	31	PWZ105	1		
Screw	32	PMZ308	2		
Washer – Spring	33	LWZ203	2		
Buffer – Bonnet – Front	34	HYB2515	2		
Screw	35	PMZ514	2		
Nut	36	FNZ605	2		
Buffer – Bonnet – Rear	37	HYB2667	2		
Plug – Bonnet Buffer – Rear	38	HYB2666	2		(1)
Screw	39	PTZ1005	2		
Washer	40	PWZ203	2		
Buffer – Bonnet – Rear	41	HYB4612	2		(2)

CHANGE POINTS:

(1) To 2200 –▲
(2) To 2200 –▲

,2201 –▲
,2201 –▲

,2202 –▲
,2202 –▲

,2203 –▲
,2203 –▲

BONNET AND CONTROLS (cont.)		Item No.	Part no.	Qty	Amended Part Number	Change Points (see below)
Bracket – Buffer Retaining		42	HYB4613	2		(2)
Hook – Bonnet – Safety Assy.		43	24G4845	1		
Spring – Safety Hook		44	HYA6412	1		
Screw	} Safety Hook	45	PTZ1004	3		
Washer – Plain		To	46	PWZ203	3	
Washer – Lock	} Bonnet	47	LWZ403	3		
Lock Assy – Bonnet			48	HYB2497	1	
Cup – Locating Assy		49	HYA6218	1		
Screw	} Bonnet Lock and Locating Cup Assy.	50	HZS405	2		
Washer – Spring			51	LWZ204	2	
Nut		to Body	52	FNZ504	2	
Spring – Bonnet Lock Lever		53	HYA4653	1		
Letters	A	54	HYB2867	1		
	U	55	HYB2879	1		
	S	56	HYB2877	1		
	T	57	HYB2878	1		
	I	58	HYB2870	1		
	N	59	HYB2874	1		
Blind Fix – Letters to Bonnet		60	13H217	12		

RA2

CHANGE POINTS:

(1) To 2200 – ▲

,2201 – ▲

,2202 – ▲

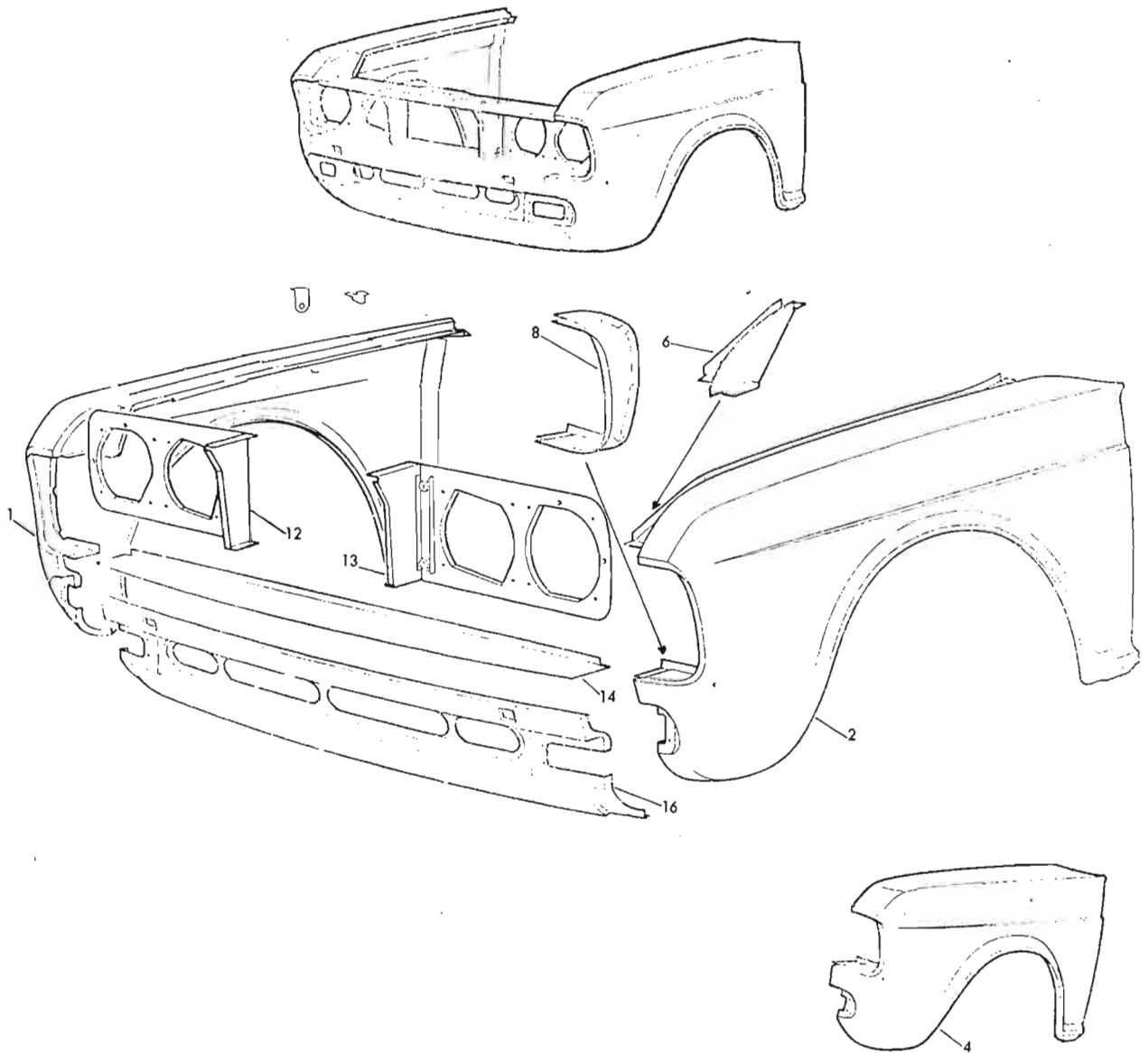
,2203 – ▲

(2) To 2200 – ▲

,2201 – ▲

,2202 – ▲

,2203 – ▲



BODY SHELL (cont.)	Item No.	Part no.	Qty	Amended Part Number	Change Points (see below)
Panel Assy – Front Fender – RH	1	HYC120	1		
LH	2	HYC121	1		
Panel – Front Fender – RH	3	HYC48	1		
LH	4	HYC49	1		
Panel Assy – Filler – Front Fender to Valance					
– RH	5	HYB2742	1		
LH	6	HYB2743	1		
Panel Assy – Closing – Front Fender to H/Lamp Mounting – RH	7	HYB2472	1		
LH	8	HYB2473	1		
Screw } Front Fender	9	HPZ404	10		
Washer – Plain } to	10	PWZ204	10		
Lockwasher } 'A' Post	11	LWZ204	10		
Panel – Mounting – H/Lamp Assy – RH	12	HYC192	1		
LH	13	HYC193	1		
Panel Assy – Closing – Body Front Lower to H/Lamp Mounting	14	HYB3030	1		
Panel – Closing – Body Front Lower to H/Lamp Mounting	15	HYC103	1		
Panel Assy – Body Front Lower	16	HYB2952	1		
Panel – Body Front Lower	17	HYC102	1		
Bracket – Front Number Plate Mounting	18	HYB2979	2		
Name Plate – Kimberley	19	HYB2908	2		
Tasman	20	HYB2909	2		
Nuts – Nameplate	21	MYH601	6		
Moulding – Front Fender – RH	22	HYB2856	1		
LH	23	HYB2857	1		
Clips – Moulding	24	MYH513	8		
Plate – Stud	25	MYH583	2		
Washer – Spring	26	LWZ203	10		
Nut	27	ANZ103	10		
Panel – Deflector – Front Fender to Dash					
– RH	28	HYB2918	1		
LH	29	HYB2919	1		
Screw } Deflector	30	HJZ1406	10		
Washer } to	31	PWZ404	10		
Lockwasher } Dash	32	LWZ404	10		
Strap – Cold Air Tube	33	24G3072	1		
Screw	34	HJZ1404	1		
Washer – Plain	35	PWZ204	1		
Washer – Lock	36	LWZ404	1		
Hose – Flexible – Cold Air – Long	37	HYB2709	1		
Nut – Spring } Securing Flex	38	PFS508	1		
Screw } Hose in Strap	39	PTZ1012	1		
Clip – Hose – Worm Drive	40	MYH391	2		

Kimberley
Kimberley

CHANGE POINTS:

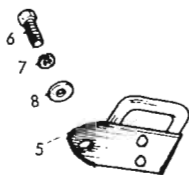
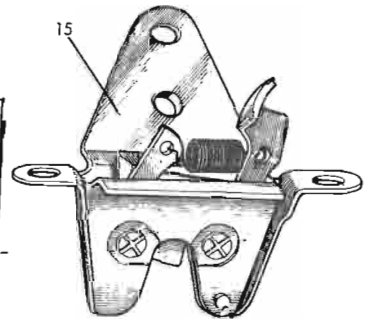
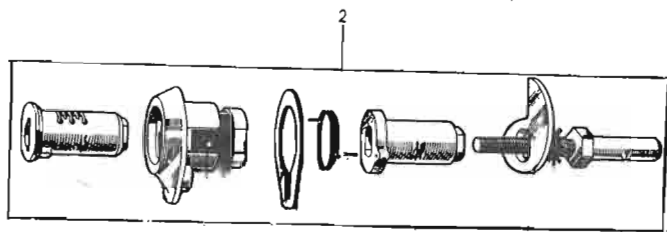
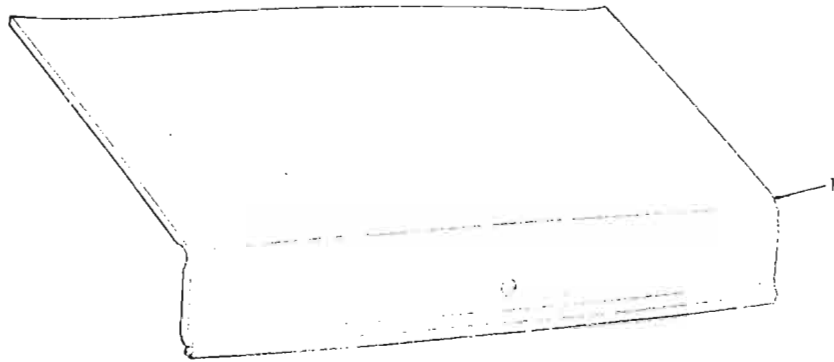
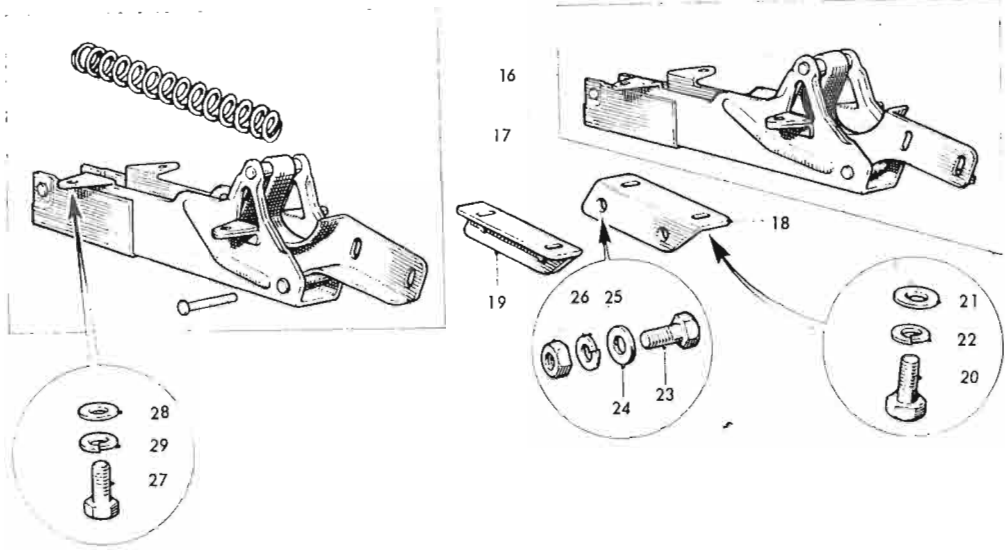
TRUNK LID

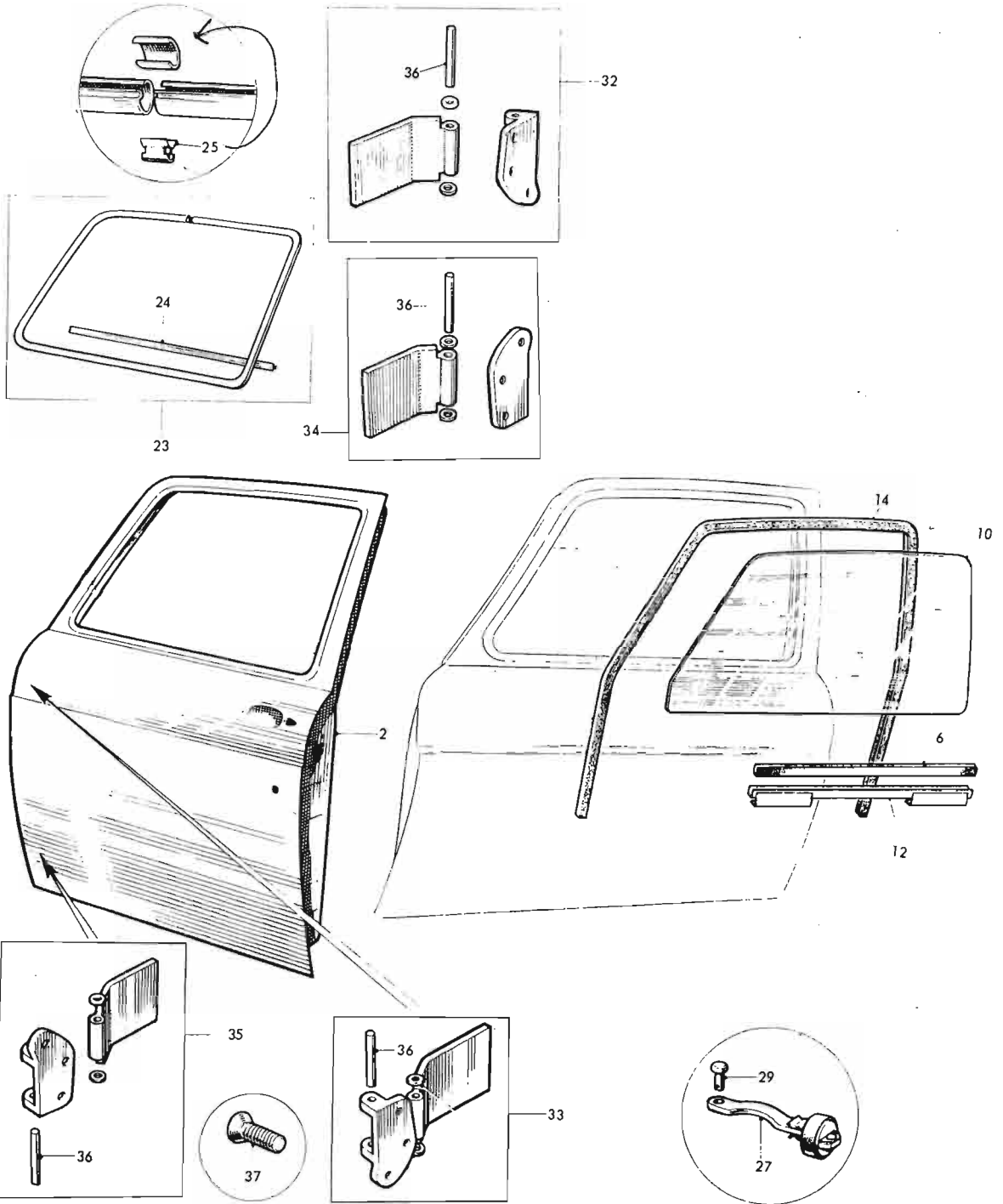
Item No.	Part no.	Qty	Amended Part Number	Change Points (see below)
----------	----------	-----	---------------------	---------------------------

RC 1

Lid - Assy - Trunk Complete	1	HYC85	1	
Lock Assy. - Trunk Lid	2	HYB2446	1	
Screw	}	Lock to Lid Inner	3	3
Washer - Spring				
Striker Assy. - Trunk Lid Lock	5	HYB2444	1	
Screw	}	Striker to Rear Lower Panel Reinf.	6	3
Washer Spring				
Washer Plain	7	LWZ204	3	
	8	PWZ104	3	
Weather Strip - Trunk Lid	9	HYB2458	1	
Badge X6 - Trunk Lid	10	HYB4415	1	
Blind Fix For Badge X6	11	13H217	2	
Name Plate Automatic	12	HYB3000	1	
Blind Fix - Automatic Name Plate	13	13H217	3	
Moulding Trunk Lid (Kimberley)	14	HYB2650	1	
Locking Device Assy. - Trunk Lid	15	HYB2445	1	
Hinge Assy. - RH	16	HYC190	1	
LH	17	HYC191	1	
Bracket - Hinge RH	18	HYC232	1	
LH	19	HYC233	1	
Screw	}	Bracket to Trunk Lid	20	4
Washer - Plain				
Washer - Spring	21	PWZ105	4	
	22	LWZ205	4	
Screw	}	Bracket to Hinge	23	4
Washer - Plain				
Washer - Spring	24	PWZ105	4	
Nut	25	LWZ205	4	
	26	FNZ505	4	
Screw	}	Hinge to Rear Parcel Shelf	27	8
Washer - Plain				
Washer - Spring	28	PWZ104	8	
	29	LWZ204	8	
Clip - Moulding	30	MYH573	7	

CHANGE POINTS:





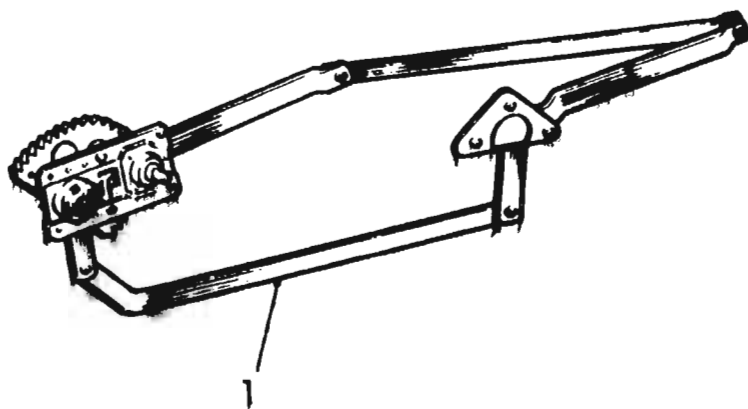
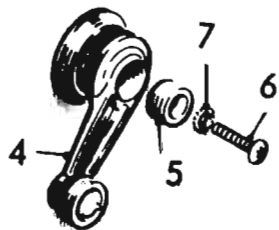
DOORS FRONT	Item No.	Part no.	Qty	Amended Part Number	Change Points (see below)
Door Assy. Complete Front RH.	1	HYB1620	1		
LH.	2	HYB1621	1		
Panel - Front Door - Outside RH	3	HYB1624	1		
LH	4	HYB1625	1		
Channel - Glass Front RH	5	HYA4924	1		
LH	6	HYA4925	1		
Screw } Glass Channel	7	PMZ306	2		
Washer Plain } to Inner Panel	8	PMZ306	2		
Glass Front Door RH	9	HYA4146	1		
LH	10	HYA4147	1		
Rubber - Glazing - Channel	11	HYA4157	2		
Lifter Glass & Channel - Lower	12	24G2856	2		
Channel Glass Run Front RH	13	HYA6318	1		
LH	14	HYA6319	1		
Bracket Glass Stop	15	HYA6397	2		
Pad Glass Stop	16	HYA4176	2		
Weatherstrip Waistrail	17	HYB2579	2		
Seal Front Door RH	18	HYA4158	1		
LH	19	HYA4159	1		
Packer Seal Front Door	20	HYA6223	2		
Flange Finisher	21	HYA4293	2		
Moulding Assy. - Outer - RH	22	CZD1242	1		
LH	23	CZD1243	1		
Weatherstrip	24	HYB2580	2		
Clip - Moulding - Capping	25	HYA6370	2		
Clip - Moulding to Door	26	HYA2146	24		
Arm - Check Assy.	27	HYA4498	2		
Washer Retaining	28	HYA4495	2		
Pin - Clevis - Check Arm to Door	29	CLZ408	2		
Sleeve - Check Arm	30	HYA4499	2		
Screw - Taptite - Lock Attachment	31	MYH491	4		
Hinge Assy. - Upper - RH	32	HYA8272	1		
LH	33	HYA8273	1		
Lower RH	34	HYA8274	1		
LH	35	HYA8275	1		
Pin - Hinge	36	HYA6676	1		
Screw	37	MYH3	6		
Screw	38	MYH791	6		
Moulding - Front Door RH (Kimberley)	39	HYB2926	1		
LH (Kimberley)	40	HYB2927	1		
Clips - Moulding to Door (Kimberley)	41	MYH573	4		
Stud Plate Moulding to Door	42	MYH583	2		
Washer Spring) Fixing } Kimberley	43	LWZ203	2		
Nut) Stud Plate }	44	ANZ103	2		

CHANGE POINTS:

DOORS FRONT	Item No.	Part no.	Qty	Amended Part Number	Change Points (see below)
Trimboard Assy. – RH (Tasman)	1	HYB2506	1		
LH (Tasman)	2	HYB2507	1		
RH (Kimberley)	3	HYB2502	1		
LH (Kimberley)	4	HYB2503	1		
Capping Door Trimboard RH	5	HYB2490	1		
LH	6	HYB2491	1		
Clip – Trim	7	MYH587	16		
Pocket Assy. – Door RH (Kimberley)	8	HYB3194	1		
LH (Kimberley)	9	HYB3195	1		
Moulding – Pocket Door (Kimberley)	10	HYB3200	2		
Clip – Moulding to Pocket (Kimberley)	11	24G3210	8		
Screw } Pocket Assy	12	CTZ603	12		
Screw } to Door (Kimberley)	13	RTZ604	8		
Washer – Cup }	14	FWP106	8		
Arm Rest	15	HYB2366	2		
Insert Arm Rest	16	HYB2375	2		
Nut } Arm Rest	17	MYH564	4		
Washer Lock } to Front	18	LWZ404	4		
Screw } Door	19	PPZ412	4		

RE2

CHANGE POINTS:



DOORS FRONT

Item
No.

Part no.

Qty

Amended Part
Number

Change
Points
(see
below)

RE4

Lock – Disc Assembly	R.H.	1	HYB2148	1	
	L.H.	2	HYB2149	1	
Clip – Rod End	R.H.	3	MYH538	3	
	L.H.	4	MYH538	2	
	L.H.	5	MYH876	1	
Clip – Rod End		6	MYH407	2	
Rod – Waist Lock Control	R.H.	7	HYB2206	1	
	L.H.	8	HYB2207	1	
Button – Locking		9	HYB2898	2	
Rod – Key Lock to Lock Front Door		10	HYB2335	2	
Escutcheon – Locking Button		11	HYB2494	2	
Screw – Taptite		12	MYH491	8	
Remote Control Assy.		13	HYB2171	2	
Rod – Remote Control		14	HYB2202	2	
Grommet – Remote Control Rod		15	HYB2187	2	
Spring – Remote Control Handle		16	HYB2201	2	
Washer – Special		17	HYB2200	2	
Escutcheon Assy – Remote Control		18	HYB2188	2	
Buffer		19	HYA5210	2	
Spring – Tension		20	MYH752	2	(1)
Screw – Remote Control to Door		21	MYH544	8	
Screw – Escutcheon to Door		22	MYH545	2	
Guide – Rod – Remote Control		23	HYB2199	2	
Rod – Door Handle To Lock Front	RH	24	HYB2312	1	
	LH	25	HYB2313	1	
Fitting – Rod End		26	MYH553	2	
Clip – Rod End		27	MYH538	2	
Handle – Door Assy	RH	28	HYB2252	1	
	LH	29	HYB2253	1	
Bolt		30	MYH547	4	
Washer – Lock	} Door Handles to Doors	31	LWZ504	4	
Nut		32	FNZ504	4	
Striker Assy.		33	HYA9520	2	
Plate – Striker – Disc Latch		34	HYA9523	2	
Screw – Striker to Door Aperture		35	CMZ408	4	
Seal – Door Lock Striker		36	HYB2977	4	
Private Lock Assy.	RH	37	HYB2244	1	
	LH	38	HYB2245	1	

(1)

CHANGE POINTS:

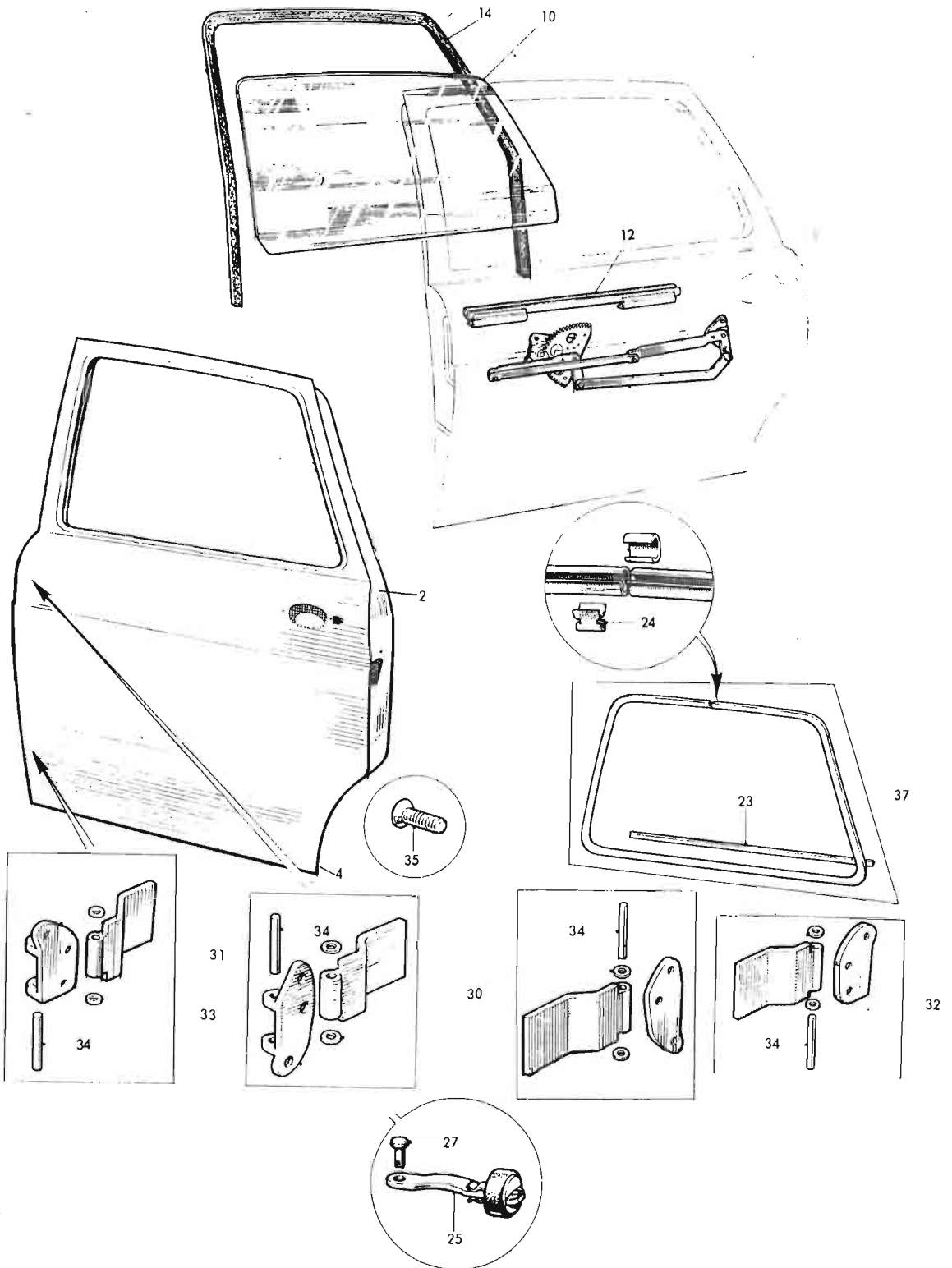
(1) To 2200 –▲

2201 –▲

2202 –▲

2203 –▲

ON



DOORS REAR	Item No.	Part no.	Qty	Amended Part Number	Change Points (see below)
Door Assy Complete Rear RH	1	HYB1630	1		
LH	2	HYB1631	1		
Panel - Rear Door Outside RH	3	HYB1634	1		
LH	4	HYB1635	1		
Channel - Glass - Rear - RH	5	HYA6490	1		
LH	6	HYA6491	1		
Screw	7	PMZ306	2		
Washer - Plain	8	PWZ203	2		
Glass - Window - Rear Door RH	9	HYA4148	1		
LH	10	HYA4149	1		
Rubber - Glazing - Channel	11	HYA4157	2		
Lifter - Glass and Channel - Lower	12	24G2856	2		
Channel - Glass Run - Rear - RH	13	HYA6320	1		
LH	14	HYA6321	1		
Bracket - Glass Stop	15	HYA6398	2		
Pad - Glass Stop	16	HYA4176	2		
Weatherstrip - Waistrail	17	HYB2579	2		
Seal - Rear Door	18	HYA4160	2		
Flange - Finisher	19	HYA4294	2		
Moulding - Rear Door - Outer - RH	20	CZD1244	1		
LH	21	HYA8307	1		
Clip - Moulding to Door	22	HYA2146	24		
Weatherstrip	23	HYB2581	2		
Clip - Moulding - Capping	24	HYB6370	2		
Arm - Check Assy	25	HYA4497	2		
Washer Retaining	26	HYA4496	2		
Pin Clevis	27	CLZ408	2		
Sleeve - Check Arm	28	HYA4500	2		
Screw - Taptite - Lock Attachment	29	MYH491	4		
Hinge - Upper RH	30	HYB2600	1		
LH	31	HYB2601	1		
Lower RH	32	HYA8278	1		
LH	33	HYA8279	1		
Pin - Hinge	34	HYA6676	4		
Screw	35	MYH3	12		
Moulding - Rear Door - RH	36	HYB2858	1		
LH	37	HYB2859	1		
Clip - Moulding	38	MYH573	6		
Stud - Plate	39	MYH583	2		
Washer - Spring	40	LWZ203	2		
Nut	41	ANZ103	2		

RE 5

CHANGE POINTS:

DOORS REAR

Item No.	Part no.	Qty	Amended Part Number	Change Points (see below)
----------	----------	-----	---------------------	---------------------------

RE6

Trimboard Assy. – RH (Tasman)	1	HYB2508	1	
LH (Tasman)	2	HYB2509	1	
RH (Kimberley)	3	HYB2504	1	
LH (Kimberley)	4	HYB2505	1	
Capping Door Trimboard RH	5	HYB2492	1	
LH	6	HYB2493	1	
Clip – Trim	7	MYH587	18	
Handle – Door Pull (Tasman)	8	HYA1064	2	
End Bracket RH (Tasman)	9	HYA1066	2	
LH (Tasman)	10	HYA1067	2	
Nut Nylon } Door Pull } (Tasman)	11	13H226	4	
Screw } to Door }	12	RTZ1005	4	
Armrest (Kimberley)		HYB2366	2	
Insert Armrest (Kimberley)	14	HYB2376	2	
Washer Lock } Armrest } (Kimberley)	15	LWZ404	4	
Screw } to Door }	16	PPZ412	4	

CHANGE POINTS:

DOORS REAR	Item No.	Part no.	Qty	Amended Part Number	Change Points (see below)
Lock Disc Assy – RH	1	HYB2160	1		
LH	2	HYB2161	1		
Clip – Rod End RH	3	MYH538	3		
LH	4	MYH538	2		
LH	5	MYH876	1		
Bellcrank – Locking Button	6	HYB2212	2		
Rod – Bellcrank to Disc Lock	7	HYB2204	2		
Rod – Button to Bellcrank	8	HYB2205	2		
Guide – Rod	9	HYB2199	2		
Button – Locking	10	HYB2898	2		
Escutcheon – Locking Button	11	HYB2494	2		
Remote Control Assy.	12	HYB2171	2		
Rod – Remote Control	13	HYB2203	2		
Grommet – Remote Control Rod	14	HYB2187	2		
Spring – Remote control Handle	15	HYB2201	2		
Washer – Special	16	HYB2200	2		
Escutcheon Assy – Remote Control	17	HYB2188	2		
Buffer	18	HYA5210	2		
Spring – Tension	19	MYH752	2		(1)
Screw – Remote Control to Door	20	MYH544	8		
Screw – Escutcheon to Door	21	MYH545	2		
Guide – Rod – Remote Control	22	HYB2199	2		
Rod – Door Handle to Lock – Rear RH	23	HYB2314	1		
LH	24	HYB2315	1		
Fitting – Rod End	25	MYH553	2		
Clip – Rod End	26	MYH538	2		
Handle – Door Assy RH	27	HYB2252	1		
LH	28	HYB2253	1		
Bolt	29	MYH547	4		
Washer – Lock } Door Handles	30	LWZ504	4		
Nut } to Doors	31	FNZ504	4		
Striker Assy.	32	HYA9520	2		
Plate – Striker Cover – Disc Latch	33	HYA9523	2		
Screw – Striker to Door Aperture	34	CMZ408			

CHANGE POINTS:

(1) To 2200 – ▲

,2201 – ▲

,2202 – ▲

,2203 – ▲

ON

DOORS REAR

Item
No.

Part no.

Qty

Amended Part
Number

Change
Points
(see
below)

RE8

Regular Window R.H.

1

HYA6380

1

L.H

2

HYA6381

1

Screw – Fillister HD – Regulator to Doors

3

MYH198

12

Handle Assy. – Window Regulator

4

HYA7668

2

Escutcheon – Window Regulator

5

HYA6553

2

Screw } Handle to

6

PMZ308

2

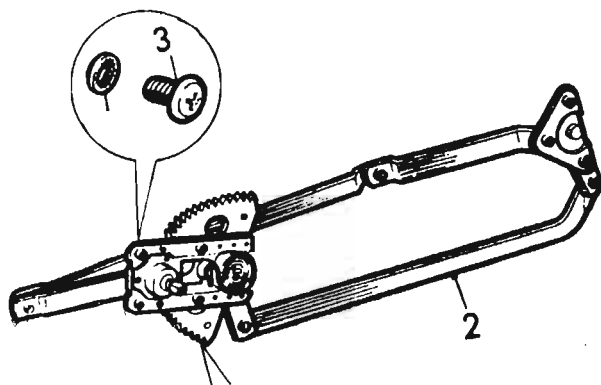
Washer Lock } Regulator

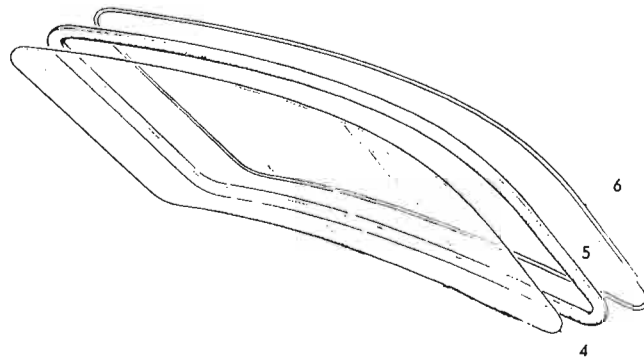
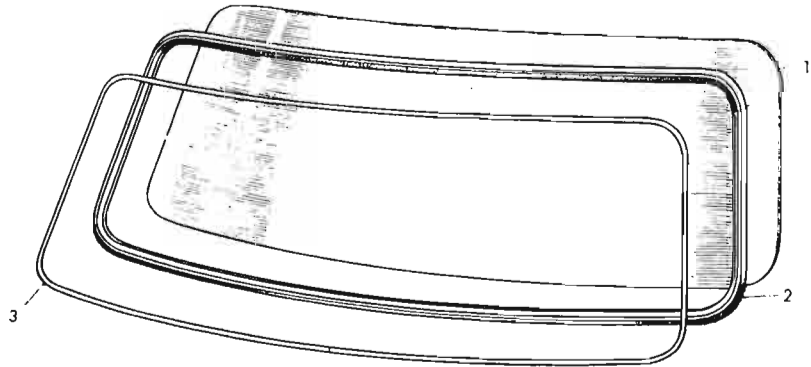
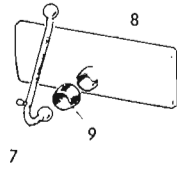
7

LWZ503

2

CHANGE POINTS:





WINDSCREEN and BACKLIGHT

Item
No.

Part no.

Qty

Amended Part
Number

Change
Points
(see
below)

RG1

Glass Windscreen Type 1 Zone – Toughened	1	HYA4758	1	
Weatherstrip – Windscreen	2	HYA4173	1	
Strip – Finishing Windscreen	3	MYH5063	144"	
Glass – Backlight	4	HYB2100	1	
Weatherstrip – Backlight	5	HYA4169	1	
Strip – Finishing Backlight	6	MYH5063	144"	
Bracket – Interior Driving Mirror	7	HYB3183	1	
Mirror Head and Ball Joint Assy.	8	HYB3185	1	
Buffer – Rubber	9	HYA6315	1	
Screw – Mirror to Header Panel	10	RTP1006	3	

CHANGE POINTS:

RADIATOR GRILLE

Item
No.

Part no.

Qty

Amended Part
Number

Change
Points
(see
below)

RH1

TASMAN

Grille – Front End	1	HYB2448	1	
Rubber Foot Grille	2	HYB2463	3	
Buffer – Front Grille	3	HYB4045	2	
Screw	4	MYH631	4	
Screw	5	MYH703	2	
Washer Rubber	6	MYH567	4	
Washer Plain	7	PWZ103	4	
Nut – Nylon	8	13H226	6	

Grille
to Body

KIMBERLEY

Grille – Front End	9	HYB2447	1	
Rubber Foot – Grille	10	HYB2463	3	
Buffer – Front Grille	11	HYB4045	2	
Screw	12	MYH702	2	
Screw	13	MYH632	4	
Washer Rubber	14	MYH567	6	
Washer Plain	15	PWZ103	6	
Nut – Nylon	16	13H226	6	

Grille
to Body

CHANGE POINTS:

BUMPERS – FRONT and REAR							Change Points (see below)	RJ1
Item No.	Part no.	Qty	Amended Part Number					
Bumper Assy. – Front Centre	1	HYB2558	1					
Bumper Assy. – Front Side R.H.	2	HYB2562	1					
Bumper Assy. – Front Side L.H.	3	HYB2563	1					
Bracket Support Front Bumper	4	HYB2941	1					
Stud	5	SPO158	1					
Washer – Spring	6	LWZ205	1					
Nut	7	FNZ505	1					
Screw	8	HZS407	1					
Washer – Rubber	9	MYH616	1					
Washer – Plain	10	PWZ104	1					
Washer – Spring	11	LWZ204	1					
Nut	12	FNZ504	1					
Screw	13	HZS405	4					
Washer Spring	14	LWZ204	4					
Nut	15	FNZ504	4					
Bolt	16	HBZ511	2					
Washer Plain	17	PWZ405	2					
Washer Spring	18	LWZ205	2					
Spacer	19	MYH570	2					
Iron – Front Bumper Assy. R.H	20	HYB2572	1					
L.H	21	HYB2573	1					
Screw	22	HZS507	2					
Washer – Plain	23	PWZ105	2					
Washer Spring	24	LWZ205	2					
Screw	25	HZS507	4					
Washer Plain	26	PWZ205	4					
Washer Spring	27	LWZ205	4					

CHANGE POINTS:

BUMPERS – FRONT and REAR						Change Points (see below)	RJ2
	Item No.	Part no.	Qty	Amended Part Number			
Bumper Assy. – Rear Centre	28	HYB2531	1				
Bumper Assy. – Rear Side RH	29	HYB2536	1				
LH	30	HYB2537	1				
Bracket Support Rear Bumper	31	HYB2942	2				
Stud } Bracket to	32	SPO158	2				
Washer Spring } Bumper Bar	33	LWZ205	2				
Nut	34	FNZ505	2				
Screw	35	HZS407	2				
Washer Rubber } Bracket	36	MYH616	2				
Washer Plain } to Body	37	PWZ104	2				
Washer Spring }	38	LWZ204	2				
Nut	39	FNZ504	2				
Screw } Bumper Rear Side	40	HZS404	4				
Washer Spring } RH/LH to Bumper	41	LWZ204	4				
Nut } Rear Centre	42	FNZ504	4				
Bolt } Bumper Rear	43	HBZ511	2				
Washer Plain } Side RH/LH to	44	PWZ405	2				
Washer Spring } Panel Rear	45	LWZ205	2				
Spacer } Fender RH/LH	46	MYH570	2				
Iron – Rear Bumper Assy.	47	HYC224	2				
Screw } Iron – Rear Bumper	48	HZS507	4				
Washer Plain } to Extension	49	PWZ105	4				
Washer Spring } Luggage Floor	50	LWZ205	4				
Screw } Bumper Assy.	51	HZS507	2				
Washer Plain } to Iron Rear	52	PWZ105	2				
Washer Spring } Bumper	53	LWZ205	2				

CHANGE POINTS:

FACIA AND BULKHEAD FITTINGS	Item No.	Part no.	Qty	Amended Part Number	Change Points (see below)
Pad Assy. – Crash – Facia Top	1	HYB2440	1		
Lower	2	HYB2441	1		
Nut – Crash Pads to Facia Upper & Lower	3	MYH589	18		
Adaptor – Fresh Air Duct L.H.	4	HYB2395	1		
Hose – Adaptor to Air Vents	5	HYB2723	1		
Hose – Heater To Air Vent	6	HYB2981	1		
Clips – Hose	7	HCS1622	4		
Bracket – Fresh Air Tubing	8	HYB3565	1		
Nut – Spring	9	PFS512	1		
Screw – Tapping	10	PTZ1212	1		
Screw	11	MYH713	4		
Nut – Spring	12	PFS306	4		
Fret Assy. – Speaker	13	HYB2535	1		
Screw	14	MYH720	2		
Piece – Distance	15	HYB2526	2		
Escutcheon – Heater Control Panel	16	HYB2451	1		
Nut – Self Threading – Plain	17	NYH588	2		
Plate – Heater Control	18	HYB2455	1		
Screw – Control Plates to Facia	19	MYH585	2		
Screw – Heater Control Panel Fixing	20	MYH585	1		
Ash Tray	21	HYB2547	1		
Slide – Ash Tray	22	HYB2549	2		
Pull – Ash Tray	23	HYB2557	1		
Screw – Pull to Ash Tray	24	MYH545	2		
Spring Assy. – Ash Tray	25	HYB2521	1		
Air Vent Assy. – RH	26	HYB2684	1		
Nut – Self Threading	27	MYH588	2		
Screw	28	MYH713	1		
Nut – Spring	29	PFS306	1		
Air Vent Assy. – LH	30	HYB2685	1		
Nut – Self Threading	31	MYH588	2		
Screw	32	MYH713	1		
Nut – Spring	33	PFS306	1		
Surround – Glove Box	34	HYB2632	1		
Door Assy. – Glove Box	35	HYB2637	1		
Tasman Motif – Glove Box	36	HYB2910	1		
Kimberley Motif – Glove Box	37	HYB2897	1		
Hinge – Glove Box	38	HYB2633	1		
Screw – Hinge to Door	39	MYH595	4		
Rivet – Hinge to Surround	40	MYH375	4		

RL 1

CHANGE POINTS:

FACIA and BULKHEAD FITTINGS (Cont.)	Item No.	Part no.	Qty	Amended Part Number	Change Points (see below)	RL2
Panel – Top – Glove Box	41	HYB2636	1			
Bottom – Glove Box	42	HYB2668	1			
Rivet – Bottom Panel to Surround	43	MYH375	3			
Lock Assy. – Glove Box	44	HYB2672	1			
Plate – Striker – Glove Box	45	HYB2634	1			
Screw] Striker and Top	46	PTZ608	2			
Nut – Spring] Panel to Surround	47	PFS306	2			
Staple – Top to Bottom Panel	48	MYH52	14			
Check Arm Assy. – Glove Box	49	HYB2692	2			
Circlip – Trunnion to Glove Box	50	SPO196	2			
Screw] Surround to	51	CTZ605	4			
Nut – Spring] Mounting – Brackets	52	PFS306	4			
Spring “U” Type] Glove Box Mtg;	53	PFS306	4			
Screw – Self Tapping] Bracket Forward	54	CTZ605	4			
Washer – Cup] to Glove Box	55	FWP106	4			
Screw – Pan HD] Glove Box MTG	56	PMZ306	2			
Nut Hex] Bracket to Facia	57	ANZ103	2			
Lock Washer] Panel Lower	58	LWZ203	2			
Drain Tube Assy. – Heater Duct	59	24G4061	2			
Rubber – Sealing – Dash Drain Channel	60	HYA4688	1			
Insulation – Dash – RH	61	HYB3312	1			
LH	62	HYB3313	1			
Top	63	HYA4825	1			
Cover Plate Assy. – Spit Hole	64	HYB3020	1			
Cover Plate – Spit Hole	65	HYB3031	1			
Buffer – Accelerator Pedal Stop	66	HYA6455	1			
Grommet – Speedo Cable Hole	67	740811	1			
Blank Ferrule – Unused Speedo Cable Hole	68	RFN220	1			
Blank Ferrule – Unused Choke Cable Hole	69	RFN210	1			
Grommet – Windscreen Wiper	70	HYA4180	1			
Cover Plate	71	HYA4212	1			
Seal – Steering Clamp to Dash	72	HYA4211	1			
Screw] Cover Plate	73	HZS404	4			
Washer – Spring] to Dash	74	LWZ204	4			
Blank Ferrule – Unused Accelerator Cable Hole	75	RFN205	1			Tasman
Rubber – Sealing – Dash – Gear Selector and Park Cables	76	MYH647	2			Automatic

CHANGE POINTS:

FLOOR FITTINGS & COVERINGS	Item No.	Part no.	Qty	Amended Part Number	Change Points (see below)
---------------------------------------	----------	----------	-----	---------------------	---------------------------

RM1

Mat Front Floor – Tasman Manual	1	HYB3005	1		
– Tasman Automatic	2	HYB3243	1		
Mat Rear Heel Board – Tasman	3	HYB4300	1		
Mat Rear Floor – Tasman Automatic	4	HYB4301	1		
Tasman Manual	5	HYB3006	1		
Carpet Front Floor – Kimberley Manual	6	HYB3007	1		
Kimberley Automatic	7	HYB3244	1		
Carpet Rear Floor – Kimberley	8	HYB3008	1		
Insulation – Front Floor RH	9	HYB4378	1		
LH	10	HYB4379	1		
Insulation – Rear Floor	11	HYB4384	1		
Insulation, – Front Floor Tunnel – Manual	12	HYB4380	1		
Insulation – Front Floor Tunnel – Automatic	13	HYB4381	1		
Insulation – Front Floor R.H (Top of Felt)	14	HYB4424	1		
L.H	15	HYB4425	1		
Insulation – Rear Floor (Top of Felt)	16	HYB4423	2		
Insulation – Under Front Seat Riser	17	HYB4064	2		
Insulation – Front Seat Riser – Top – Kimberley	18	HYB4241	1		
Insulation – Sill R.H Front – Kimberley	19	HYB4238	1		
Insulation – Sill R.H Rear – Kimberley	20	HYB4239	1		
Insulation – Sill L.H Front to Rear – Kimberley	21	HYB4240	1		
Console – Front Floor – Automatic	22	HYB4080	1		
Reinforcement – Console – Automatic	23	HYB4640	2		
Bracket – Console – RH – Automatic	24	HYB3208	1		
LH – Automatic	25	HYB3209	1		
Pop Rivet – Mounting Bracket to Bulkhead					
Auto	26	DMP819	5		
Screw } Console to } Auto	27	MYH655	4		
Nut – Spring } Mtg. Brackets }	28	MYH654	4		
Screw } Console } Auto	29	MYH593	2		
Washer – Plain } to }	30	MYH678	2		
Nut – Spring } Crossmember }	31	PFS310	2		
Cover Boot Side RH	32	HYB2724	1		
LH	33	HYB2725	1		
Mat Luggage Floor	34	HYB2808	1		
Plug – Jacking Tube	35	HYA6428	4		
Plug – Sealing –Skuk Holes	36	CFP1000	4		
Plug – Heat Shield Hole – Automatic	37	MYH657	1		

CHANGE POINTS:

**FLOOR FITTINGS & COVERINGS
(Cont)**

Item No.	Part no.	Qty	Amended Part Number	Change Points (see below)
----------	----------	-----	---------------------	---------------------------

RM2

Tread Plate Sill Front RH	38	HYB2466	1	
LH	39	HYB2467	1	
Rear RH	40	HYB2468	1	
LH	41	HYB2469	1	
Finisher Sill Tread Plate	42	HYA4731	2	
Screw } Tread Plate	43	RTZ603	4	
Screw } to Sill	44	RTZ605	34	
Cover – Change Speed Control Box – Manual	45	HYA6425	1	
Seal – Control Box to Floor – Manual	46	HYA6426	1	
Nut – Spring } Cover and Seal	47	PFS310	8	
Screw } to	48	PJZ1004	8	
Washer – Plain } Floor	49	PWZ103	8	

CHANGE POINTS:

INTERIOR LININGS	Item No.	Part no.	Qty	Amended Part Number	Change Points (see below)	RM3
Insulation – Roof – Front	1	HYB4062	1			
Rear	2	HYB4063	1			
Bow Headlining Listing No 1	3	HYB2136	1			
No 2 & 3	4	HYB2689	2			
No 4	5	HYB2690	1			
No 5	6	HYB2137	1			
No 6	7	HYB2135	1			
Headlining Assy	8	HYB2185	1			
Gland – Trim Fastener Headlining	9	HYH273	12			
Trim Assy – Rear Parcel Shelf	10	HYA4270	1			
Trimboard Rear Parcel Shelf	11	HYA4239	1			
Pad Rear Parcel Shelf	12	HYA4240	1			
Insulation – Rear Parcel Shelf – Kimberley	13	HYB4089	1			
Fastener – Trim	14	MYH42	7			Kimberley
Gland – Trim Clip	15	HYH272	7			
Fastener – Trim	16	HYA1860	7			Tasman
Gland – Trim Clip	17	HYH272	7			
Board Assy Cowside Trim RH	18	HYB2752	1			
Insulation – Cowside RH – Kimberley	19	HYB4058	1			
Fastener – Trim	20	HYA1860	1			Kimberley
Gland – Trim Clip	21	HYH272	1			
Board Assy Cowside Trim LH	22	HYB2753	1			
Insulation – Cowside LH – Kimberley	23	HYB4058	1			
Fastener – Trim	24	HYA1860	1			Kimberley
Gland – Trim Clip	25	HYH272	1			
Trim Assy – Centre Pillar RH	26	HYB2606	1			
Cover Assy – Centre Pillar Trim	27	HYB2746	1			
Trim Assy – Centre Pillar LH	28	HYB2607	1			
Cover Assy – Centre Pillar Trim	29	HYB2747	1			
Cover "A" Post Upper RH	30	HYB4234	1			
LH	31	HYB4235	1			
Cover Backlight Lower	32	HYB4236	1			
Board "D" Post Cover	33	HYB4499	2			
Cover "D" Post Lower RH	34	HYB2744	1			
LH	35	HYB2745	1			
Cover Seat Retaining – Rear Cushion	36	HYB4232	1			
Cover Strip – Backlight – Side LH	37	HYB2693	1			
RH	38	HYB2694	1			
Sunvisor Assy RH	39	HYB3174	1			
Sunvisor Assy LH	40	HYB3175	1			
Nut	41	FNZ604	4			
Screw	42	RTP1006	8			
Nut – Spring	43	PFS310	2			

CHANGE POINTS:

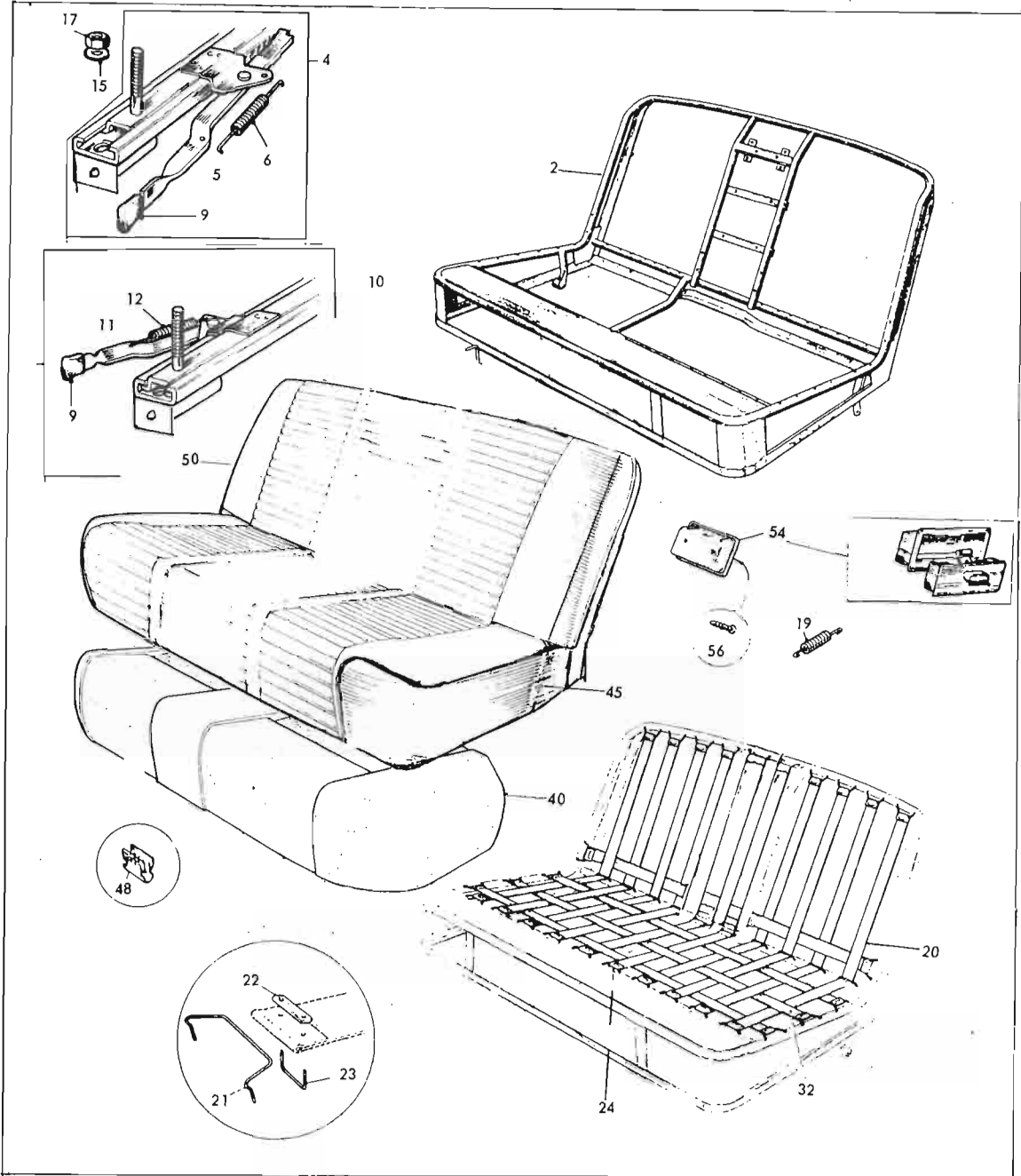
INTERIOR LININGS (cont.)

Item No.	Part no.	Qty	Amended Part Number	Change Points (see below)
----------	----------	-----	---------------------	---------------------------

RM4

Retainer	44	HYB3182	2	
Screw	45	RTP604	4	
Pad Assy. – Sealing – Rear Valance				
Top RH	46	HYB3100	1	
Top LH	47	HYB3101	1	
Trimmed Assy Rear Quarter RH	48	HYB2902	1	
Insulation – Rear Quarter – Upper – RH				
Kimberley	49	HYB4060	1	
Screw	50	RTZ604	2	
Washer – Cup	51	FWP106	2	
Trimmed Assy – Rear Quarter LH	52	HYB2903	1	
Insulation – Rear Quarter – Upper LH				
Kimberley	53	HYB4061	1	
Screw	54	RTZ604	1	
Washer – Cup	55	FWP106	1	
Insulation – Rear Seat Cushion Pan –				
Kimberley	56	HYB4237	1	
Back Board – Rear Squab	57	HYA4242	1	
Pop Rivet	58	DMP2829	12	
Hook – Coat	59	HYB2523	1	
Screw – Hook to Cantrail	60	RTZ606	1	
Belt – Safety – Front	61	HYA8864	2	
Cover – BC Post Terminal	62	HYB2846	2	
Piece – Distance	63	HYB884	2	
Screw	64	MYH41	2	
Washer – Anti – Rattle	65	HYA2301	2	
Piece – Distance	66	HYB884	2	
Screw	67	MYH41	2	
Washer – Anti Rattle	68	HYA2301	2	
Piece – Distance	69	HYB884	2	
Screw	70	MYH41	2	
Washer – Anti Rattle	71	HYA2301	2	
Belt – Safety – Front – Centre (Tasman				
Manual)	72	HYB3192	1	
Piece – Distance	73	HYB884	2	
Screw	74	MYH41	2	
Washer – Anti – Rattle	75	HYA2301	2	

CHANGE POINTS:

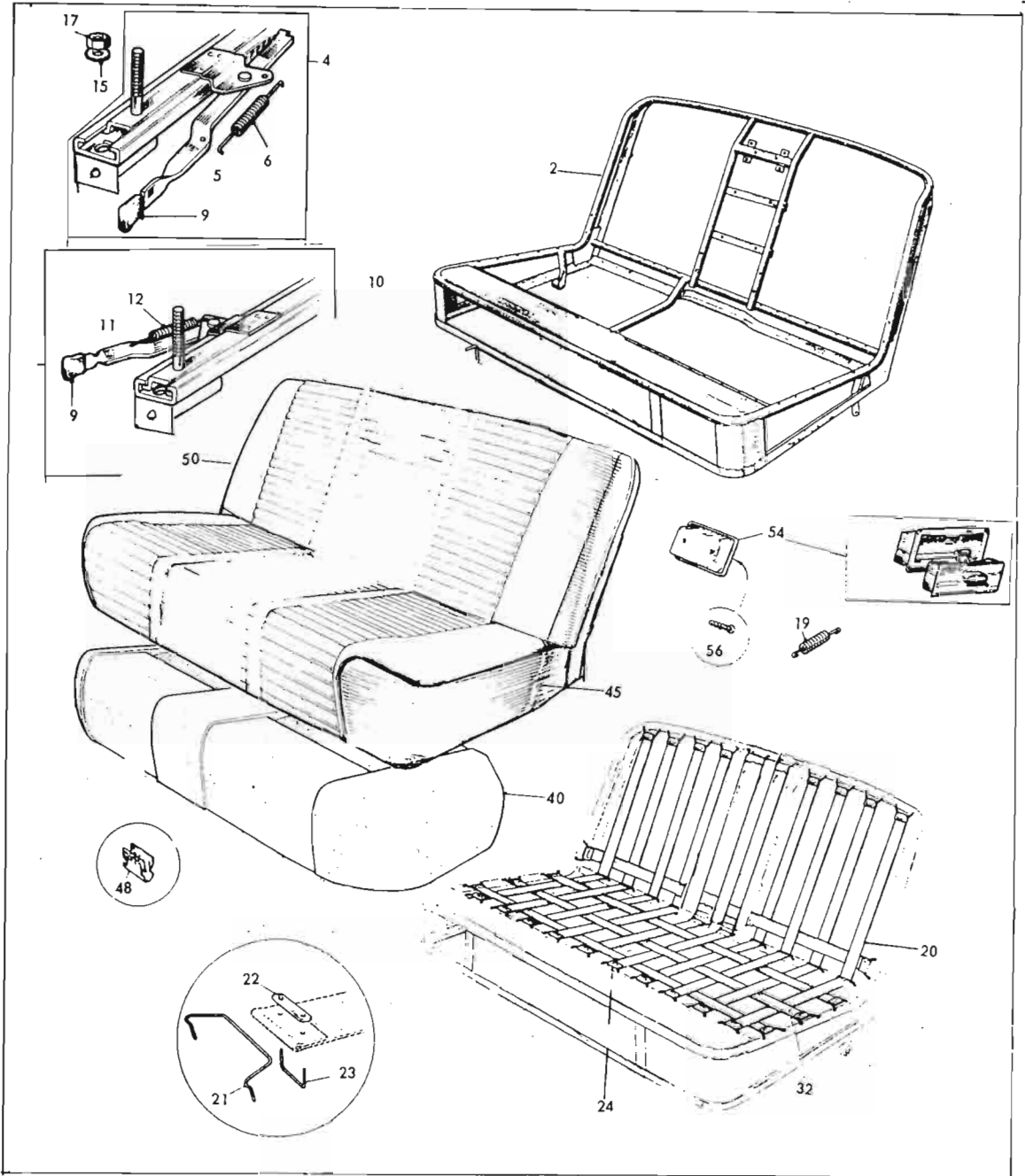


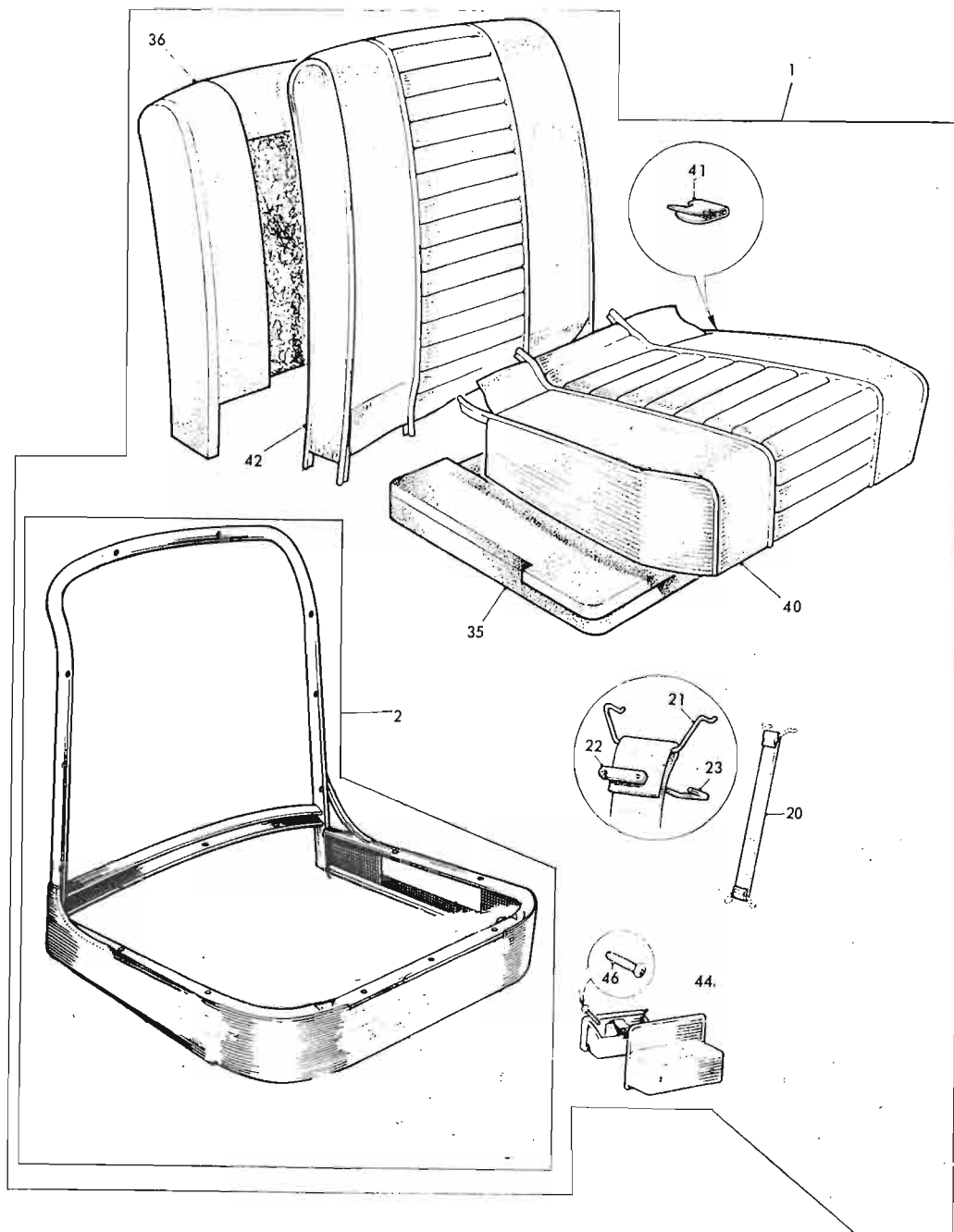
FRONT SEAT TASMAN (MANUAL)	Item No.	Part no.	Qty	Amended Part Number	Change Points (see below)	RN1
Front Seat Assy.	1	HYB3210	1			
Frame Seat Assy – Front Bench	2	HYB2236	1			
Rod – Seat Belt Guide	3	HYB3425	6			
Slide Assy. – Seat RH	4	HYB2888	1			
Slide Top and Handle Assy. RH	5	HYB2946	1			
Spring Return Seat Adjuster	6	HYA6438	1			
Pin Grooved	7	MPS2407	3			
Balls Steel	8	BLS108	6			
Knob	9	HYA123	1			
Slide Assy. – Seat LH	10	HYB2889	1			
Slide Top and Locking Plate LH	11	HYB3699	1			
Spring Return Seat Adjuster	12	HYA6438	1			
Pin Grooved	13	MPS2407	3			
Balls Steel	14	BLS108	6			
Washer Plain	} Seat Slides to Seat	15	PWZ205	4		
Washer Spring		16	LWZ205	4		
Nut		17	FNZ505	4		
Rod – Slide Adjustment	18	HYB1379	1			
Spring – Seat Return	19	HYB3702	2			
Strap – Squab (14.25" Long)	20	47H9573	7			in Mults of FT
Clip	21	14A3839	14			
Plate Backing	22	14A3838	14			
Staple	23	14A3837	14			
Strap – Cushion (14.25" Long)	24	47H9573	13			in Mults of FT
Clip	25	14A3839	26			
Plate Backing	26	14A3838	26			
Staple	27	14A3837	26			
Strap – Squab (42" Long)	28	47H9573	1			in Mults of FT
Clip	29	14A3839	2			
Plate – Backing	30	14A3838	2			
Staple	31	14A3837	2			
Strap – Cushion (39" Long)	32	47H9573	3			in Mults of FT
Clip	33	14A3839	6			
Plate Backing	34	14A3838	6			
Staple	35	14A3837	6			
Strap – Squab (42" Long)	36	47H9573	1			in Mults of FT
Clip	37	14A3839	2			
Plate Backing	38	14A3838	2			
Staple	39	14A3837	2			

CHANGE POINTS:

FRONT SEAT TASMAN (MANUAL)	Item No.	Part no.	Qty	Amended Part Number	Change Points (see below)	RN2
Pad Assy – Cushion	40	HYB2339	1			
Pad Assy – Squab	41	HYB2338	1			
Pad – Front Seat Back	42	HYB2784	1			
Pad – Front Squab Sides	43	HYB2780	2			
Pad – Front Cushion Sides	44	HYB2781	2			
Cover Assy – Front Cushion	45	HYB2789	1			
Screw } Side Borders to	46	PTZ604	2			
Washer Plain } Seat Frame	47	PWZ103	2			
Clip – Trim – Cover	48	14A4497	22			
Clips – Trim	49	MYH614	8			
Cover Assy – Front Seat Squab	50	HYB2794	1			
Screw } Border to Seat	51	PTZ604	2			
Washer – Plain } Frame Base	52	PWZ103	2			
Clip – Trim – Squab Cover to Frame	53	14A4497	20			
Asy Tray Assy.	54	HYA1958	1			
Spring Clip and Roller Assy. – Ash Tray	55	HYA1967	1			
Screw – Ash Tray to Support	56	PTZ605	2			
Clip – Trim – Cover to Seat	57	MYH11	8			

CHANGE POINTS:





**FRONT SEAT TASMAN
(AUTOMATIC)**

Item
No.

Part no.

Qty

Amended Part
Number

Change
Points
(see
below)

RN3

FRONT SEAT TASMAN (AUTOMATIC)	Item No.	Part no.	Qty	Amended Part Number	Change Points (see below)
Seat Assy Front – Trimmed C/W Slides – Bucket	1	HYB3224	2		
Frame Assy	2	HYB1917	2		
Slide Assy Seat – RH	3	HYB2888	2		
Slide Top and Handle Assy RH	4	HYB2946	2		
Spring Return Seat Adjuster	5	HYA6438	2		
Pin Grooved	6	MPS2407	6		
Balls Steel	7	BLS108	12		
Slide Assy Seat – LH	8	HYB2889	2		
Slide Top and Locking Plate LH	9	HYB3699	2		
Spring Return Seat Adjuster	10	HYA6438	2		
Pin Grooved	11	MPS2407	6		
Balls Steel	12	BLS108	12		
Washer Plain	13	PWZ205	8		
Washer Spring	14	LWZ205	8		
Nut	15	FNZ505	8		
Knob – Seat Adjuster	16	HYA123	2		
Support Assy – Ash Tray Retainer	17	HYB3249	2		
Screw	18	MYH255	6		
Spring Seat Return	19	HYB3702	2		
Strap – Cushion (13.5" Long)	20	47H9573	6		in Mults of FT
Clip	21	14A3839	12		
Plate Backing	22	14A3838	12		
Staple	23	14A3837	12		
Strap – Cushion (34" Long)	24	47H9573	4		in Mults of FT
Clip	25	14A3839	8		
Plate Backing	26	14A3838	8		
Staple	27	14A3837	8		
Strap – Squab (17" Long)	28	47H9573	6		in Mults of FT
Clip	29	14A3839	12		
Plate Backing	30	14A3838	12		
Staple	31	14A3837	12		
Plate Pirelli Strap Rubbing	32	HYH1536	4		
Clip – Rubbing Strap	33	14A3839	4		
Clip – Cushion	34	14A3839	4		
Pad – Cushion	35	HYB2677	2		
Pad – Squab	36	HYB2676	2		
Pad – Front Seat Back	37	HYB2785	2		
Pad – Front Cushion Sides	38	HYB2781	4		
Pad – Squab Sides	39	HYB3112	4		

CHANGE POINTS:

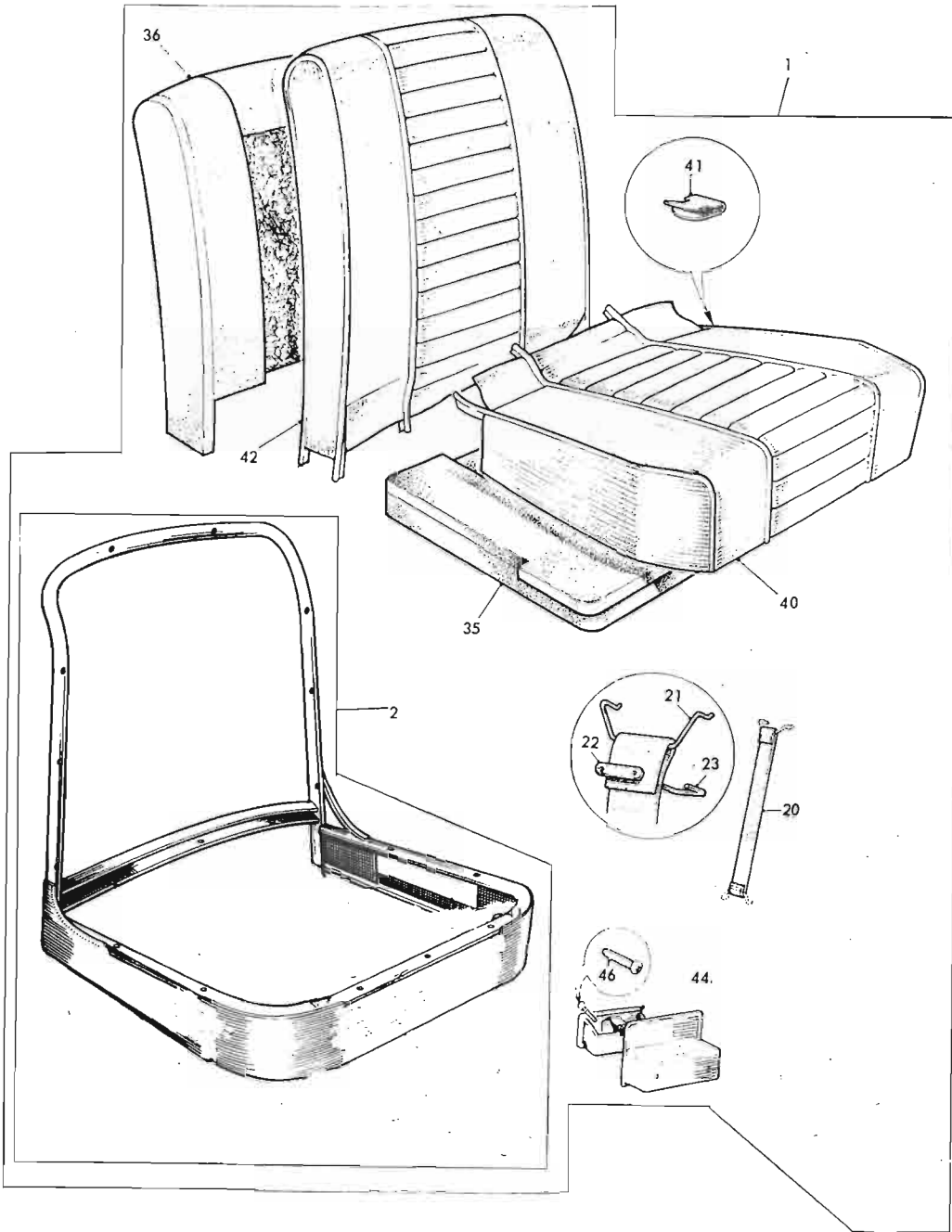
**FRONT SEAT TASMAN
(AUTOMATIC)**

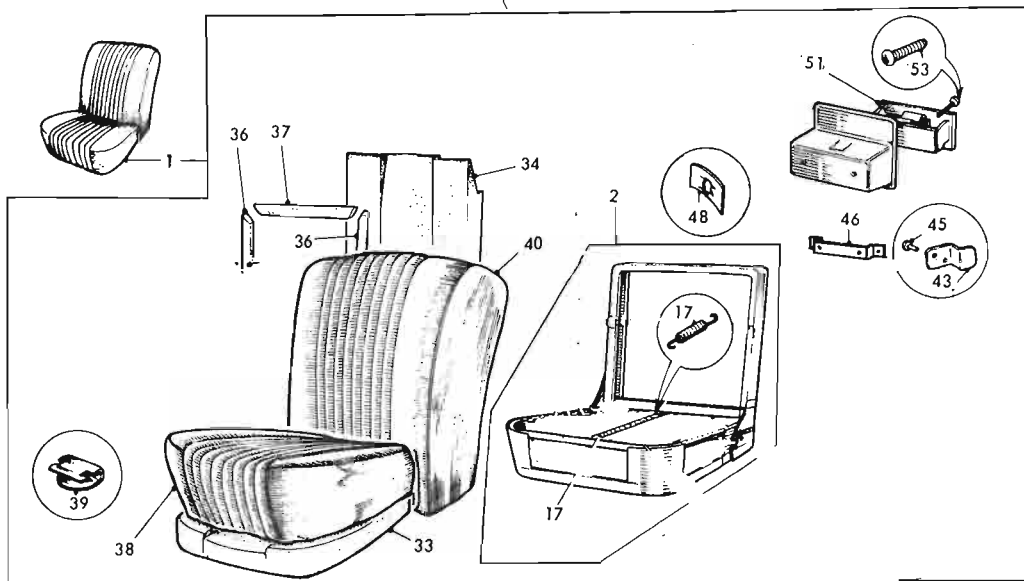
Item No.	Part no.	Qty	Amended Part Number	Change Points (see below)
----------	----------	-----	---------------------	---------------------------

RN4

Cover Assy – Cushion	40	HYB3114	2	
Clip – Trim – Cushion Cover to Frame	41	14A4497	40	
Cover Assy – Front Squab	42	HYB3120	2	
Clip – Trim – Squab Cover to Frame	43	14A4497	28	
Ash Tray Assy	44	HYA1958	2	
Spring Clip and Roller Assy	45	HYA1967	2	
Screw – Ash Tray to Support	46	PTZ605	4	

CHANGE POINTS:





FRONT SEAT KIMBERLEY	Item No.	Part no.	Qty	Amended Part Number	Change Points (see below)	RN5
Seat Assy Front – Trimmed C/W Slides – Bucket	1	HYB3223	2			
Frame Assy	2	HYB1917	2			
Slide Assy Seat – RH	3	HYB2888	2			
Slide Top and Handle Assy. RH	4	HYB2946	2			
Spring Return Seat Adjuster	5	HYA6438	2			
Pin Grooved	6	MPS2407	6			
Balls Steel	7	BLS108	12			
Slide Assy Seat LH	8	HYB2889	2			
Slide Top and Locking Plate LH	9	HYB3699	2			
Spring Return Seat Adjuster	10	HYA6438	2			
Pin Grooved	11	MPS2407	6			
Balls Steel	12	BLS108	12			
Washer Plain	} Seat Slides to Seat	13	PWZ205	8		
Washer Spring		14	LWZ205	8		
Nut	15	FNZ505	8			
Knob – Seat Adjuster	16	HYA123	2			
Spring Seat Return	17	HYB3702	2			
Strap – Cushion (13.5" Long)	18	47H9573	6			in Mults of FT
Clip	19	14A3838	12			
Plate Backing	20	14A3838	12			
Staple	21	14A3837	12			
Strap – Cushion (34" Long)	22	47H9573	4			in Mults of FT
Clip	23	14A3838	8			
Plate Backing	24	14A3838	8			
Staple	25	14A3837	8			
Strap – Squab (17" Long)	26	47H9573	6			in Mults of FT
Clip	27	14A3838	12			
Plate Backing	28	14A3838	12			
Staple	29	14A3837	12			
Plate Pirelli Strap Rubbing	30	HYH1536	4			
Clip – Rubbing Strap	31	14A3838	4			
Clip Cushion	32	14A3838	4			
Pad – Cushion	33	HYB2452	2			
Pad – Squab	34	HYB2453	2			
Pad – Front Seat Back	35	HYB2786	2			
Pad – Lumbar Support – Squab	36	HYB3508	2			
Pad – Top – Squab	37	HYB3509	2			

CHANGE POINTS:

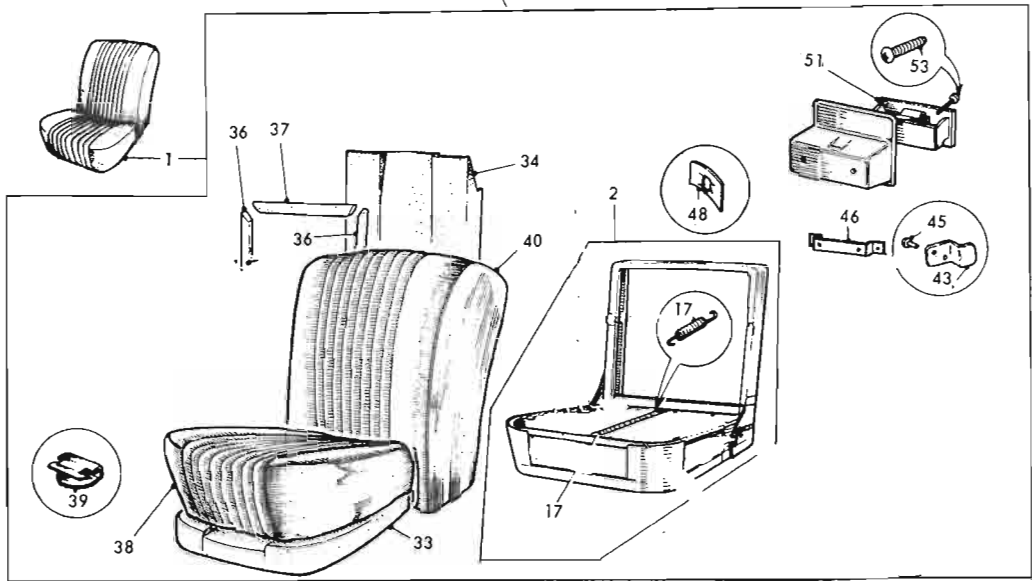
FRONT SEAT KIMBERLEY

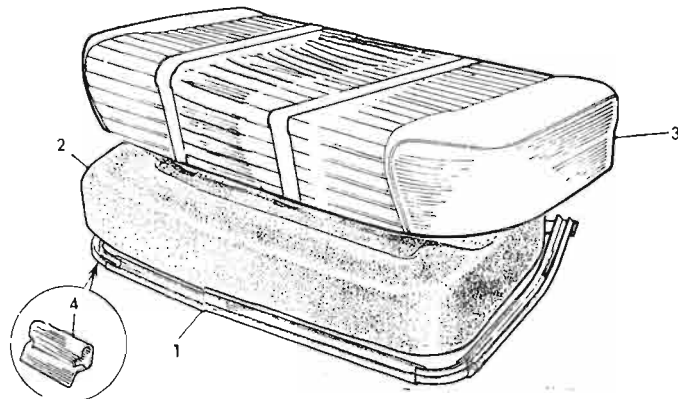
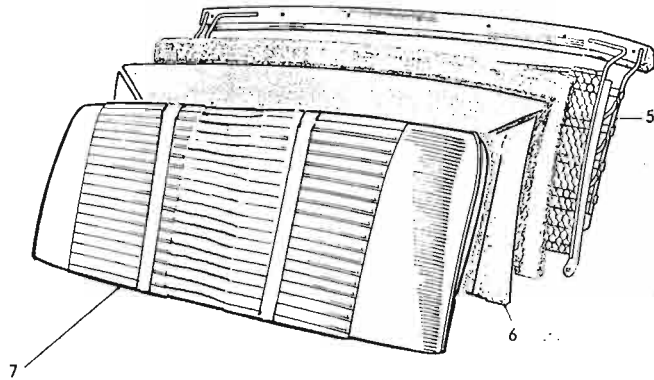
Item No.	Part no.	Qty	Amended Part Number	Change Points (see below)
----------	----------	-----	---------------------	---------------------------

RN6

Cover Assy – Cushion	38	HYB3127	2	
Clips – Trim – Cushion Cover to Frame	39	14A4497	48	
Cover Assy – Front Squab	40	HYB3134	2	
Clip – Trim – Squab Cover to Frame	41	14A4497	40	
Trim Assy - Outside Back	42	HYB3226	2	
Clip – Trim Pad Front Seat Back	43	HYA4311	14	
Tag Front Seat Back Board	44	HYA4312	4	
Rivet – Pop	45	DMP2829	36	
Bracket Ash Tray	46	HYA4343	2	
Rivet	47	BRP906	4	
Nut – Spire – Ash Tray Bracket	48	PFS506	4	
Screw – Trim Assy to Frame	49	PTZ603	4	
Clip – Trim – Trimboard to Seat	50	14A4497	10	
Ash Tray Assy	51	HYA1958	2	
Spring Clip and Roller Assv	52	HYA1967	2	
Screw – Ash Tray to Support	53	PTZ605	4	

CHANGE POINTS:



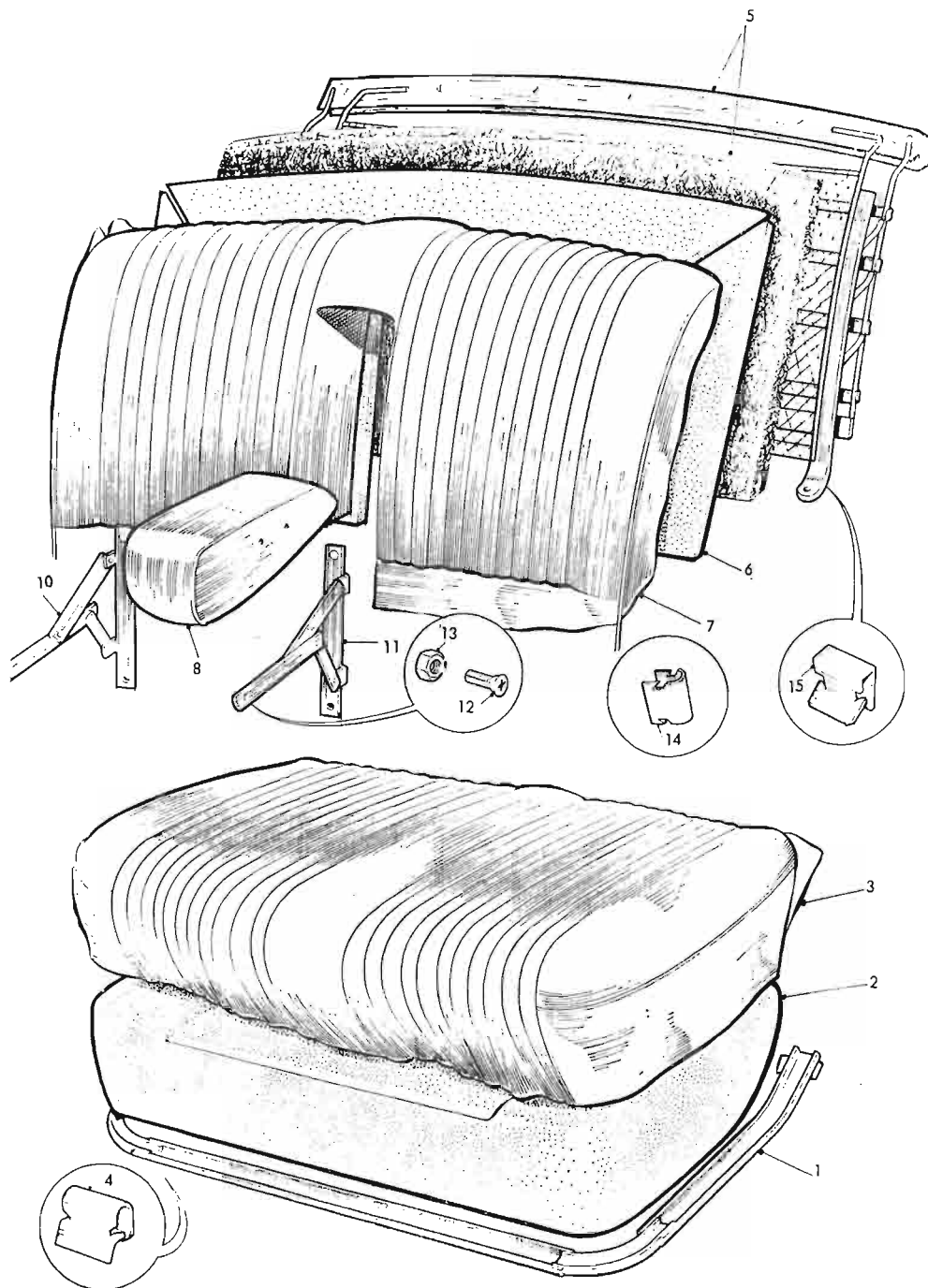


REAR SEATS TASMAN	Item No.	Part no.	Qty	Amended Part Number	Change Points (see below)	RN7
Frame – Rear Seat Cushion	1	HYA4195	1			
Pad – Rear Cushion	2	HYA4280	1			
Cover Assy – Cushion	3	HYB2775	1			
Hog Ring – Cover & Pad to Frame	4	HYH112	30			
Frame Assy Rear Squab	5	HYB2801	1			
Pad Rear Squab	6	HYB3318	1			
Cover Assy Rear Squab	7	HYB2768	1			
Hog Ring – Cover to Frame	8	HYH112	30			
Clip – Trim – Cover to Frame	9	14A4497	20			
Screw – Squab to Body	10	PTZ604	2			

CHANGE POINTS:

REAR SEATS KIMBERLEY	Item No.	Part no.	Qty	Amended Part Number	Change Points (see below)	RN8
Frame – Rear Seat Cushion	1	HYA4195	1			
Pad – Rear Cushion	2	HYA4280	1			
Cover Assy – Cushion	3	HYB3142	1			
Hog Ring	4	HYH112	30			
Frame Assy Rear Squab	5	HYB2762	1			
Pad Rear Squab	6	HYB3632	1			
Cover Assy – Squab	7	HYB3154	1			
Armrest Assy – Complete – Rear Squab	8	HYB3239	1			
Cover Assy – Armrest	9	HYB2840	1			
Hinge Assy – Armrest RH	10	HYB2510	1			
Hinge Assy – Armrest LH	11	HYB2511	1			
Screw) Armrest to	12	PMZ410	4			
Lock nut) Squab Frame	13	LNZ204	4			
Hog Ring) Board Back Armrest	14	HYH112	5			
Clip – Trim) to Squab Frame	15	14A4497	8			
Screw – Squab to Body	16	PTZ604	3			

CHANGE POINTS:



HEATER AND VENTILATION	Item No.	Part no.	Qty	Amended Part Number	Change Points (see below)
Elbow Assy – Air Inlet Duct	1	HYB4510	1		
Heater Box Assy Complete	2	AYB9134	1		
Seal – Air Inlet RH	3	AYH9521	1		
LH	4	AYH9522	1		
Seal – Heater – Radiator Tubes	5	AYH9523	1		
Distance Piece } Heater to	6	AYH9524	4		
Grommet } Dash Mounting	7	AYH9525	4		
Core – Heater	8	AYH9631	1		
Control Plate Assy – Heater	9	AYB9136	1		
Control Cable Assy – Temperature	10	AYB9227	1		
Control Cable Assy – Heat Distribution	11	AYB9228	1		
Rivet – Control Plate to Facia	12	DMP2824	3		
Assembly – Clip and Knob Heater Controls	13	AYB9235	2		
Washer – Spring } Heater Unit	14	LWZ204	4		
Washer Plain } Assy to Dash	15	PWZ204	4		
Nut	16	FNZ504	4		
Tube – Demister	17	AYB9137	2		
Nozzle – Demister	18	AYB9112	2		
Hose – Heater to Thermostat Housing	19	AYB9268	1		
Clip – Heater Hose	20	HCS507	2		
Hose – Heater to Pump	21	AYB9269	1		
Clip – Heater Hose	22	HCS507	2		
Clamp } Heater Hose	23	AYK5549	1		
Screw } to Spit Hole	24	PMZ408	1		
Washer – Spring } Cover	25	LWZ204	1		
Flange Retainer Assy – Air Inlet	26	HYB2947	2		
Screw – Tapping	27	MYH4718	4		

RO1

CHANGE POINTS: